

SLURRYPRO SV80 SPINDLE SUBMERSIBLE PUMP

Pump:

Size: SV80-900026 Dimensions: Suction: ---
 Type: Slurrypro Vertical Discharge: 200 mm
 Synch Speed: Adjustable
 Dia: 520 mm
 Curve: ---
 Impeller Material: High chrome

Search Criteria:

Flow: --- Near Miss: ---
 Head: --- Static Head: 0 m

Fluid:

Name: Water
 SG: 1 Vapor Pressure: 0.0177 bar a
 Density: 999 kg/m³ Atm Pressure: 1.01 bar a
 Viscosity: 1.1 cP
 Temperature: 15.6 °C

Pump Limits:

Temperature: --- Sphere Size: ---
 Wkg Pressure: ---

Motor:

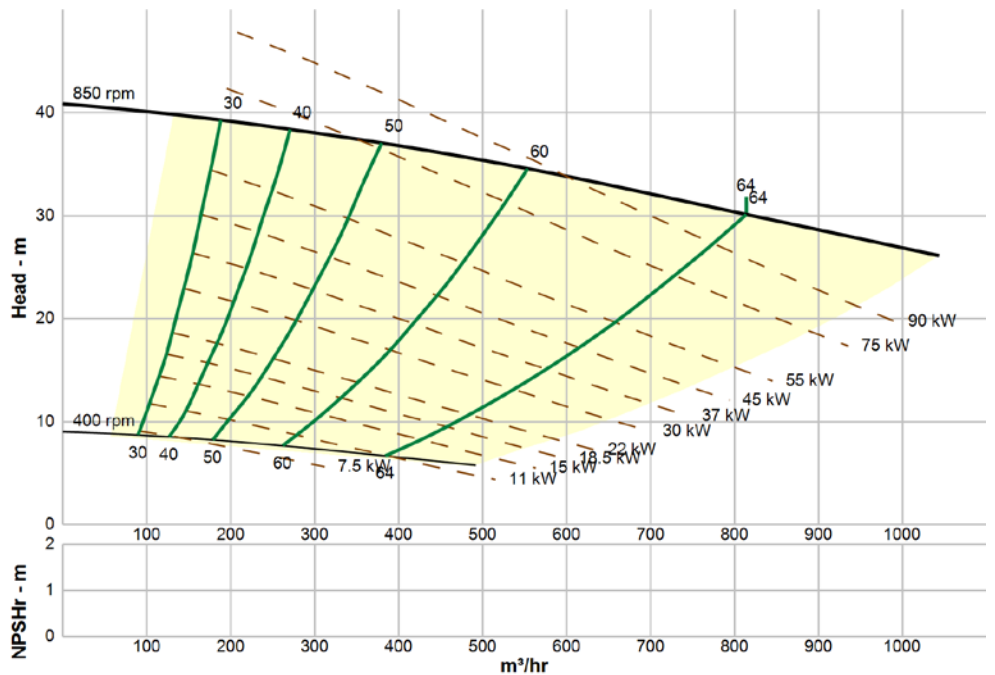
Consult Intrax to select a motor for this pump.

Pump Selection Warnings:

Please see manufacturer for motor selection.

Max Motor Power:

--- Duty Point ---	
Flow:	814 m ³ /hr
Head:	30.1 m
Eff:	64%
Power:	104 kW
NPSHr:	---
Speed:	850 rpm
--- Design Curve ---	
Shutoff Head:	40.9 m
Shutoff dP:	4.01 bar
Min Flow:	--- m ³ /hr
BEP: 64% @ 814 m ³ /hr	
NOL Power:	
	122 kW @ 1043 m ³ /hr
--- Max Curve ---	
Max Power:	
	122 kW @ 1043 m ³ /hr

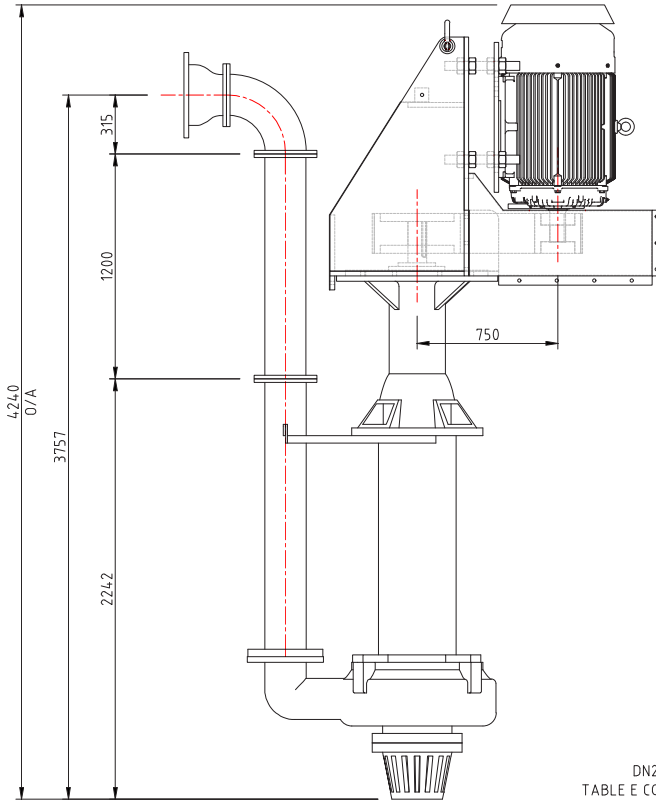


Performance Evaluation:

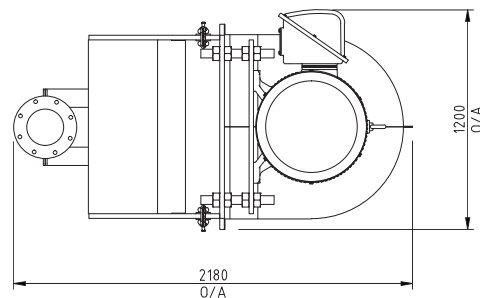
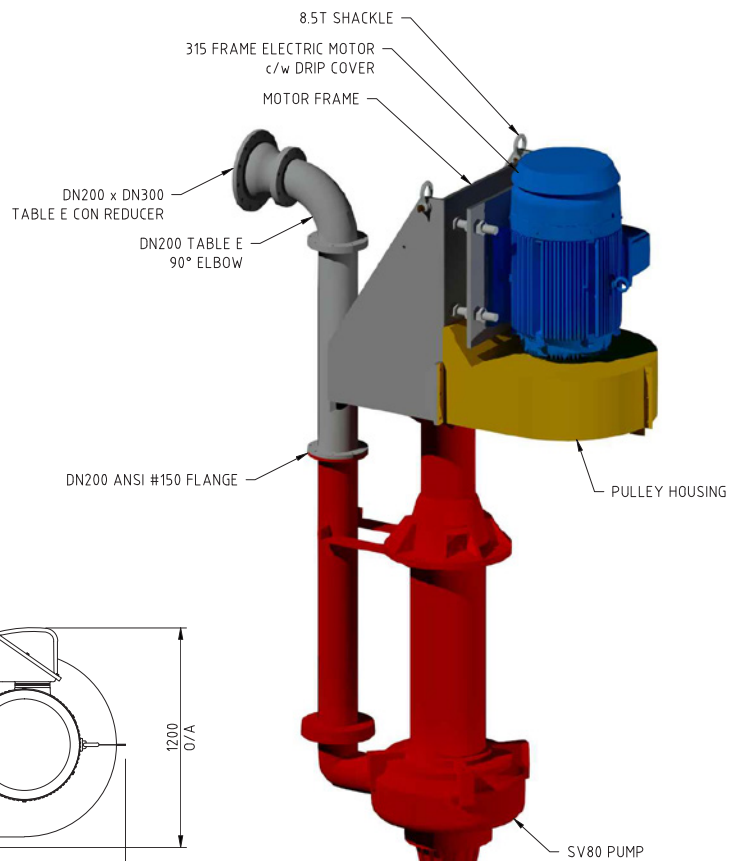
Flow	Speed	Head	Efficiency	Power	NPSHr
m ³ /hr	rpm	m	%	kW	
1002	850	26.8	61.5	119	---
835	850	29.8	63.7	106	---
668	850	32.6	61.8	94.5	---
501	850	35.3	57	83.7	---
334	850	37.6	45.8	74.1	---



SLURRYPRO SV80 SPINDLE SUBMERSIBLE PUMP



ELEVATION VIEW



PLAN VIEW

