

MODY MLS6-22 SUBMERSIBLE SLURRY PUMP



MODEL	kW	RPM	MAX.AMPS (400v) 50Hz	SOLID HANDLING (mm)	WEIGHT (Kgs.)
MLS6-11	11	1450	21.4	35	192
MLS6-15V	15	1450	27.6	35	201
MLS6-15H	15	1450	27.6	35	201
MLS6-22	22	1450	41.4	30	345

PUMP END

pH Range	5 - 12
Impeller Type	Semi-Open
Max. Temperature of Pumped Fluid:	104 °F/40°C
Max. Starts/Stop Per Hour:	15
Max. Submergence:	65 Feet

MOTOR

4-pole induction continuous rated motor with squirrel cage rotor. Automatic ON/OFF/ON Thermal Overloads in Motor. Stator insulation class 'H' (180°C), 1.15 Service Factor.

POWER SUPPLY

3 phase, 50 Hz, AC Supply, 400v. Other voltages available upon request.

BALL BEARINGS

The rotor shaft is carried in two ball bearings. Double row contact lower bearing is capable of carrying high thrust and radial loads. Upper bearing is a deep groove single row oversized bearing. The bearings are enclosed with high temperature grease-containing special Anti-corrosion additive.

POWER CABLE

Waterproof/oil proof, rubber-insulated, neoprene-sheathed copper conductor flexible cable, 65ft. (20m) length standard. Type SOOW in North

America, EPR in the Middle East and HO7RN in the EU.

SHAFT SEALS

Double Mechanical Seals, outer and inner are Silicon Carbide, both rotating and stationary faces.

HYDRAULICS

Multi Vane, Semi-Open Impellers to effectively handle abrasive media.

COOLING

Top discharge ensures that the pump is cooled by the pumped liquid allowing the pump to operate even if not completely submerged.

MATERIALS OF CONSTRUCTION

Pump Casing:	ASTMA-48
Stator Casing:	ASTMA-48
Impeller:	28% Hi-Chrome Iron
Wear Plate:	28% Hi-Chrome Iron
Agitator:	28% Hi-Chrome Iron
Shaft:	403 Stainless Steel
Hardware:	304 Stainless Steel
"O" Rings:	Nitrile Rubber (Viton - Optional)
Mech. Seals:	SC/SC (Upper & Lower)

SURFACE TREATMENT

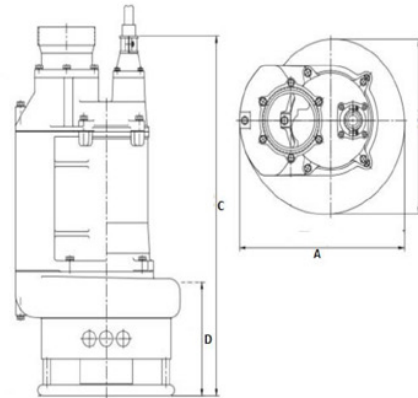
Primer with Epoxy paint



MODY MLS6-22 SUBMERSIBLE SLURRY PUMP

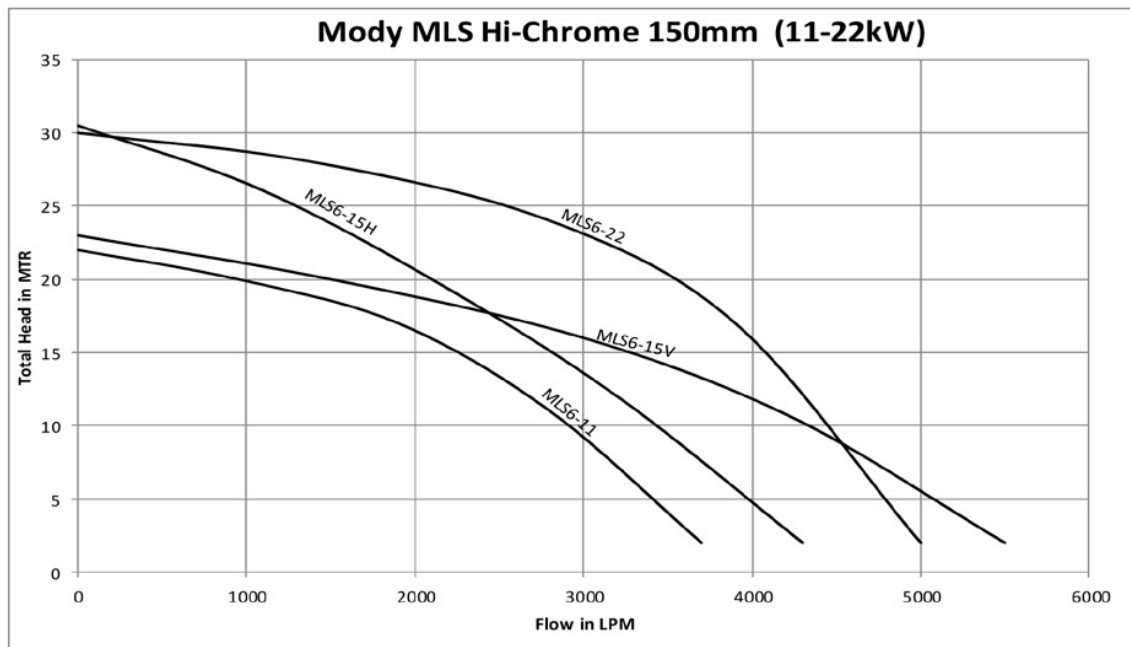
MLS6 Series Portable Wet Pit Installation

DIMENSIONS CHART (mm)				
MODEL	A	B	C	D *
MLS6-11	477	431	888	280
MLS6-15V	477	431	888	280
MLS6-15H	477	431	888	280
MLS6-22	591	497	1071	349
* Lowest Water Level for effective suction				



PERFORMANCE CURVES

Performance Curve based on Clean Water at 68° F with 1.0 SG.
Please Correct for Other Conditions.



Due to continuous product development, specifications are subject to change without notice. Vol. 1, Rev. 1, July 2015

