

# mody

## ELECTRIC SUBMERSIBLE SEWAGE PUMP

### MH 480

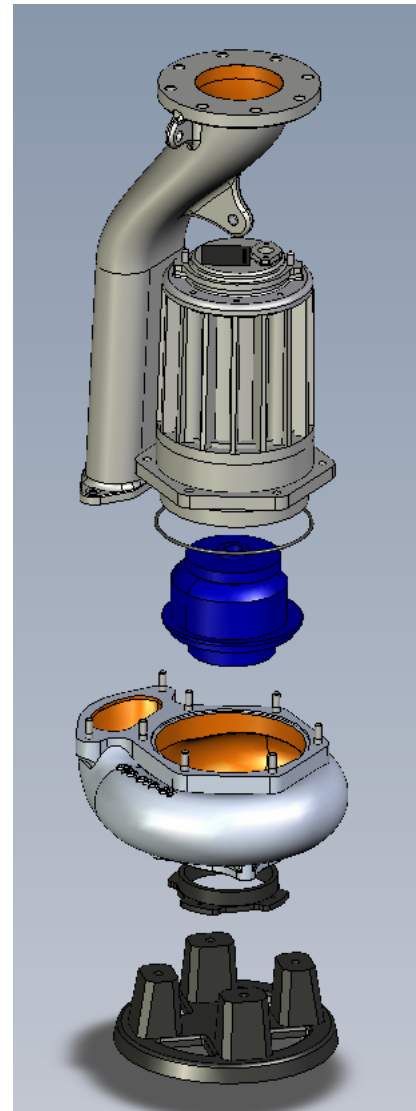
**SUBMERSIBLE MANHOLE PUMP  
FOR  
MOBILE WET PIT  
SEWER  
BYPASS OPERATIONS**

.....

#### Model MH 480

6" (150mm) Flange or Hose  
10 HP (7.5kW)  
(High Volume - Low Head)

.....



**Mody Pumps® Inc.**  
2166 Zeus Court, Bakersfield, CA 93308. USA  
Tel.: (661) 392-7600 • Fax: (661) 392-7601  
<http://www.modypump.com>  
E-mail: [sales@modypump.com](mailto:sales@modypump.com)

03.10.Rev.0



1800 PUMP RENTAL  
[nationalpump.com.au](http://nationalpump.com.au) | [sales@nationalpump.com.au](mailto:sales@nationalpump.com.au)

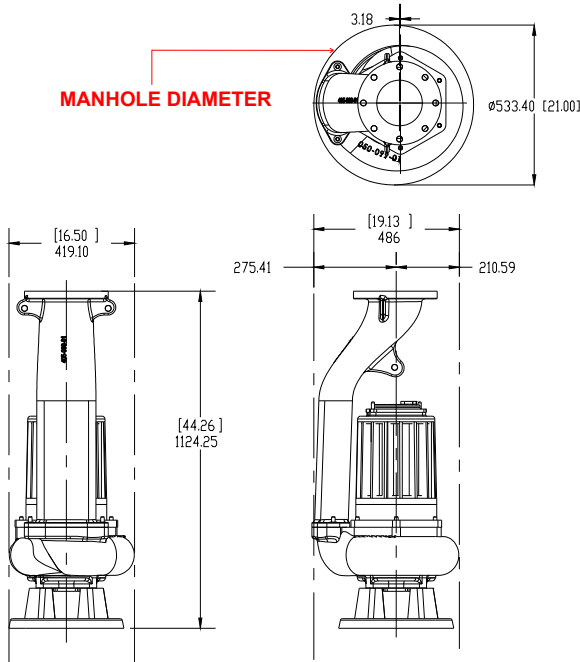
NPE-MAR-PR-0326



# mody

## ELECTRIC SUBMERSIBLE SEWAGE PUMP

### MH - 480, 10HP (7.5kW)



### MH-480

#### MATERIALS OF CONSTRUCTION AND ENGINEERING DATA

MODEL	MH 480
HP/kW	10/7.5
RPM 60Hz/50Hz	1750/1450
Max. Amps (FLA @ 460v/400v)	14/16
Solids Handling: inches/mm	3"/75
Weight - (approx.) Lbs./Kg	490/223
Impeller Type	Channel
Max. Temperature of Pumped Fluid:	104°F/40°C
Max. Starts/Stop Per Hour:	15
Max. Submergence:	33'/10m

#### MOTOR

4-pole induction **continuous rated** motor with squirrel cage rotor. Bi-metallic switches (thermals) embedded in stator winding to protect against overheating. Stator insulation class 'H' (180°C)

#### POWER SUPPLY

3 phase, 50/60 Hz, AC Supply. Available in any voltage frequency combination. (208/220/230/380/415/460/575/1000V)

#### BALL BEARINGS

The rotor shaft is carried in two ball bearings. Double row contact lower bearing is capable of carrying high thrust and radial loads. Upper bearing is a deep groove single row oversized bearing. The bearings are enclosed with high temperature grease-containing special Anti-corrosion additive.

#### POWER CABLE

Waterproof/oil proof, rubber-insulated, neoprene-sheathed copper conductor flexible cable, 50ft. (15m) length standard. Type SOOW in North America, EPR in the Middle East and HO7RN in the EU. (4 core std., 7 core optional)

#### SHAFT SEALS

Compact Tandem Tungsten Carbide/Tungsten Carbide Upper & Lower Mechanical seals minimize shaft overhang and deflection maximizing mean time between service intervals. Optional moisture sensor available to detect progressive seal wear.

#### HYDRAULICS

Single Channel Impellers, Hydrodynamically balanced with improved flow pattern contribute to a virtually clog-free pump.

#### COOLING

Integral cast cooling fins on motor casing with large surface area ensure efficient heat dissipation and low temperature rise. Shrink fitted stators and short shaft overhang facilitate cooling.

#### MATERIALS OF CONSTRUCTION

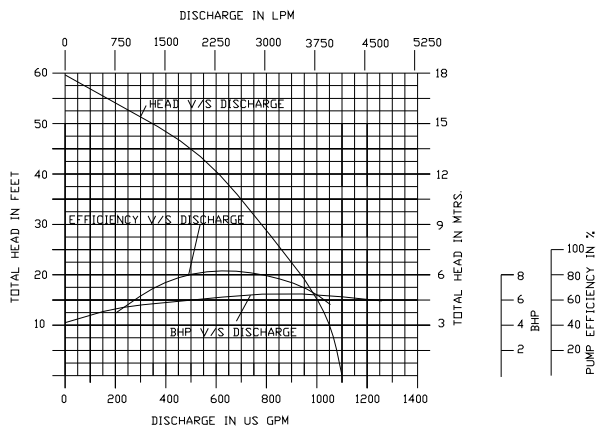
Casing/Discharge:	Cast Alloy Steel ASTM A487
Impeller:	Cast Iron ASTM A48 Class 30 (FG 220)
Shaft:	431 Stainless Steel
Hardware:	304 Stainless Steel
"O" Rings:	Nitrile Rubber
Mech. Seals:	TC/TC (Upper & Lower)

#### SURFACE TREATMENT

Primer with Epoxy and subsequently coated with black chloric paint for max. corrosion resistance. pH Range 6 - 11.

### PERFORMANCE CURVE

#### MANHOLE SEWAGE MODEL : MH - 480, 10 HP, 6" OUTLET



Due to continuous product development, specifications are subject to change without notice.  
03.10.Rev.0

