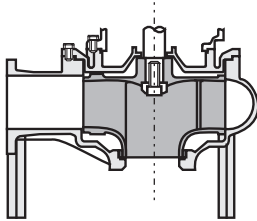
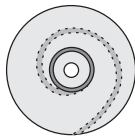




Submersible sewage pumps with single channel non-clog impellers and double row lower bearings for reliability. Suitable for raw sewage, waste water, storm water, etc.



Impeller Type & Solids Handling



Enclosed Single Channel



Model	Ø kW	80	100	100
		All	All	All
Free impeller Passage (mm)		76	76	76

Specifications

- Submersible pump with non clog single channel impeller
- Maximum solids handling: 76 mm
- Maximum liquid temperature: 40 °C
- Maximum submergence: 8 m

Materials

- Pump casing: Cast Iron
- Impeller: Cast Iron
- Wear ring: Bronze
- Shaft: 403 Stainless Steel
- Motor frame: Cast Iron
- Fasteners: 304 Stainless Steel
- Mechanical seal: Double mechanical seal in oil chamber, Silicon Carbide lower faces, Carbon/Ceramic upper faces.

Motor Data

- Air filled, dry submersible, 4 pole, 50 Hz
- Y-Δ Star-Delta (DOL for 2.2 kW)
- Insulation class F
- IP68 protection
- 3 Phase - 400 Volt

Range

- 80 to 150 mm Ø discharge
- 2.2 to 22 kW - 3 Phase (Manual only)

Supply

- Cable(s): 10 m
- Discharge elbow with companion flange (80 & 100 mm screwed, 150 mm weld on)

Accessories

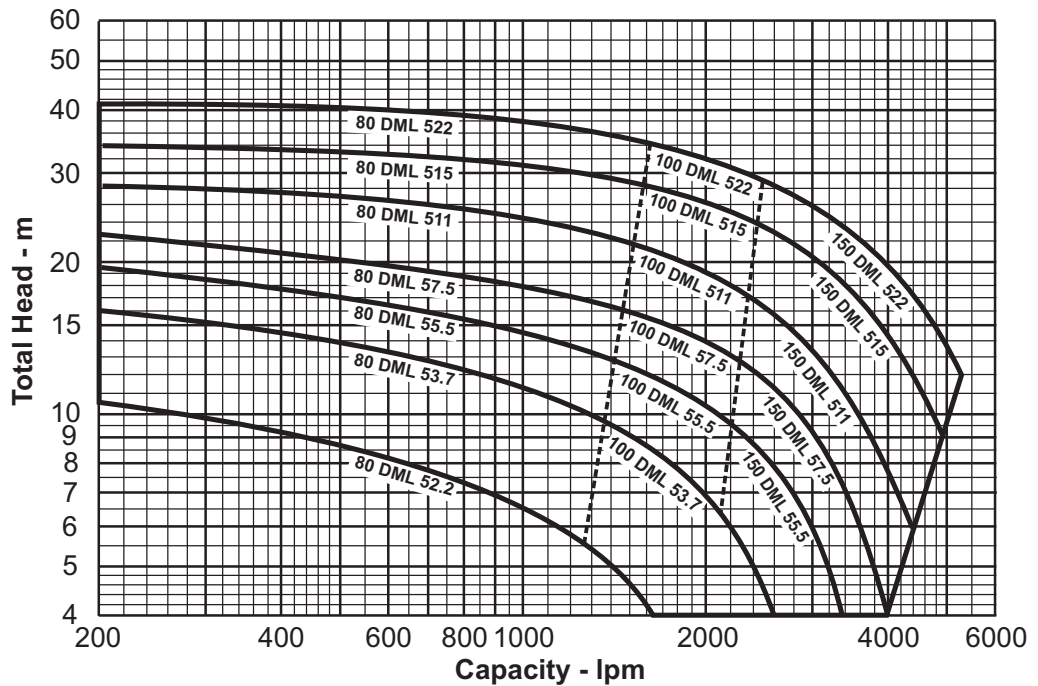
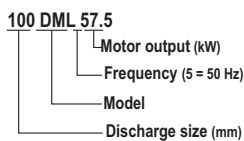
- Quick Discharge Connectors (QDC) available

Performance Curve

Synchronous Speed: 1500 rpm

Applicable standard of test: ISO 9906 Annex A

Model Code



Performance Table

Discharge size is determined by the elbow supplied with the pump.

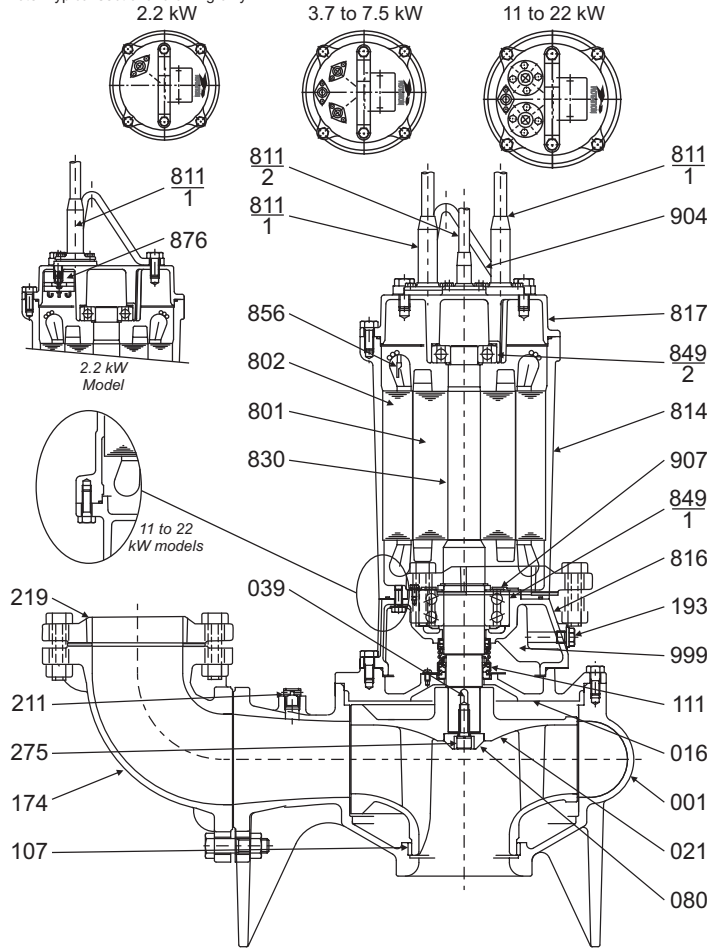
Pump Model	Motor Output	# Discharge Ø mm	Full Load Current 3 PH, 400 V	Capacity - lpm													
				600	1200	1700	2400	2700	3000	3500	4000	4400	5000	5360			
80 DML 52.2	2.2 kW	80 mm	5.2 A	8.2	5.6	3.6											
80, 100 DML 53.7	3.7 kW	80 or 100 mm	8.4 A	12.8	10.4	8.1	4.9	3.6									
80, 100, 150 DML 55.5	5.5 kW	80, 100 or 150 mm	12.6 A		14.0	11.5	8.8	7.1	5.8	3.5							
80, 100, 150 DML 57.5	7.5 kW	80, 100 or 150 mm	16.9 A		16.8	14.8	12.0	10.7	9.3	6.8	4.0						
80, 100, 150 DML 511	11.0 kW	80, 100 or 150 mm	23.8 A		23.6	20.8	16.8	15.0	13.3	10.8	8.2	6.4					
80, 100, 150 DML 515	15.0 kW	80, 100 or 150 mm	30.0 A		29.6	27.1	23.6	21.9	20.3	17.3	14.5	12.2	8.8				
80, 100, 150 DML 522	22.0 kW	80, 100 or 150 mm	42.0 A		36.1	33.5	29.8	27.9	26.0	22.8	19.4	17.4	14.0	12.0			



Sectional Drawing

Model **DML**

Note: Typical sectional drawing only.



No.	Description	Material	Qty.
001	Casing	FC200 Cast Iron	1
016	Mechanical seal cover	FC200 Cast Iron	1
021	Impeller	FCD400 Ductile Cast Iron	1
039	Impeller key	SUS420 Stainless Steel	1
080	Bushing	St Steel	1
107	Wear ring	BC Bronze	1
111	Mechanical seal	Silicon Carbide lower faces Carbon vs Ceramic upper faces	1
174	Discharge elbow	FC200 Cast Iron	1
193	Oil plug	SUS304 Stainless Steel	1
211	Air vent valve	C3604 Brass	1
219	Companion flange	FC200 Cast Iron	1
275	Impeller bolt	SUS304 Stainless Steel	1
801	Rotor	-	1
802	Stator	-	1
811-1	Cable [1]	4 core power cable	1 or 2
811-2	Cable	2 core protector cable (except 2.2 kW)	1
814	Motor frame	FC150 Cast Iron	1
816	Lower bracket	FC150 Cast Iron	1
817	Upper bracket	FC150 Cast Iron	1
830	Shaft #	SUS403 Stainless Steel	1
849-1	Ball bearing	Double row lower bearing	1
849-2	Ball bearing	-	1
856	Thermal protector (except 2.2 kW)	-	2
876	Auto cut (only 2.2 kW)	-	1
904	Lifting hanger	St Steel	1
907	Bearing cover	SPCC Steel	1
999	Oil	Turbine Oil SAE 10W or 20W	*

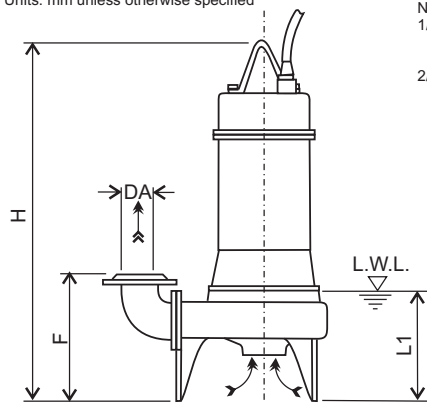
[1] 2.2 kW - 1 cable, 3.7 kW & above - 2 cables * See table for oil capacity
refers to pump side of shaft material

Mechanical Seal Lubricating Oil							
Motor - kW	2.2	3.7	5.5	7.5	11	15	22
Capacity - ml	1100		1600		2900		3000

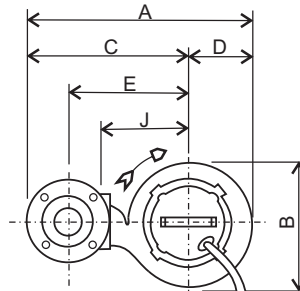
Dimensions

Model **DML**

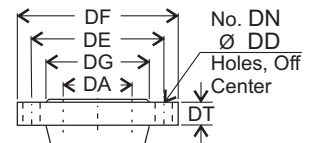
Units: mm unless otherwise specified



Note:
1/. L.W.L. (Low Water Level)
Is limited to 10 minutes operation at low water level.
2/. Is limited to 30 minutes operation with water level below top of motor.



Discharge Flange Dimensions (JIS 10kgf/cm²)



DA	DE	DF	DG	DT	DN	DD
80	150	185	126	18	8	15
100	175	210	151	20	8	15
150	240	280	212	22	8	19

Discharge size is determined by the elbow supplied with the pump.

Submersible cable
Length CL = 10 metres

Size DA	Pump Model	Output kW	Dimensions															Weight (kg)											
			A			B			C			D			E			F			H			J			L1		
80 or 100 or 150	80 DML 52.2	2.2	534	-	-	320	378	-	-	157	285	-	-	298	-	-	668	210	279	80	-	-							
	80,100 DML 53.7	3.7	534	577	-	320	378	420	-	157	285	315	-	298	313	-	727	210	279	87	89	-							
	80,100,150 DML 55.5	5.5	640	653	713	381	453	465	525	188	360	360	385	334	334	369	824	255	310	118	121	127							
	80,100,150 DML 57.5	7.5	640	653	713	381	453	465	525	188	360	360	385	334	334	369	824	255	310	123	125	132							
	80,100,150 DML 511	11	734	746	806	455	513	525	585	221	420	420	445	350	350	385	938	315	329	157	160	166							
	80,100,150 DML 515	15	734	746	806	455	513	525	585	221	420	420	445	350	350	385	938	315	329	163	166	172							
80,100,150 DML 522	22	777	790	850	497	533	533	605	245	440	440	465	353	353	388	1021	335	332	223	226	232								

Specifications subject to change without notice



EBARA PUMPS AUSTRALIA PTY. LTD.

Data Sheet
DML 13-03



1800 PUMP RENTAL
nationalpump.com.au | sales@nationalpump.com.au

NPE-MAR-PR-0327

