



Pioneer Prime

## PP88S12L71

### Performance

#### Pioneer Prime series - vacuum assisted, end suction centrifugal pump

Bare shaft, frame mounted, fully automatic dry priming, vacuum assisted, run dry, heavy duty solids handling pump

Size	8" x 8" 200 x 200 mm
Flow, Max	4500 USGPM 1040 m <sup>3</sup> /h 280 l/s
Head, Max	175 feet 50 meters
Flow at BEP	2600 USGPM 600 m <sup>3</sup> /h 160 l/s
Efficiency at BEP	70%
Solids Handling, Max	3.0" 76 mm
Operating Speed, Max	2000 rpm
Suction Connection	8" 150 ANSI Flanges
Delivery Connection	8" 150 ANSI Flanges
Lubrication	Oil STD Grease optional
Fasteners	Imperial

### Applications

Construction	Waste Water
Industrial	Power Generation
Mining	Environmental
PosiValve™ Patent #6,783,730 PP88S12L71_03.14	

### High flow, solids handling heavy duty pump

The PP88S12 is a high flow, ruggedized pump designed to operate over a broad range of performance while delivering outstanding suction lift. The rugged construction and modular design provide proven reliability and flexibility in the most demanding applications.

### UltraPrime™ Priming System

Priming System	Mechanically Driven Diaphragm Style Vacuum Pump
Air Removal Capability	50 CFM
Priming Chamber	Single chamber with Positive sealing air separation PosiValve™ with stainless steel float ball & linkage.
Discharge Check Valve	Swing Style - ductile iron with Buna-n Disc Valve

### Other Specifications

Mechanical Seal	Single seal w/ tungsten carbide vs. silicon carbide seal faces, Viton® elastomers, 300 series stainless steel hardware and spring, designed for indefinite dry running
Pump End Bearing	Single row ball
Drive End Bearing	Single row ball
Shaft	1144 Stress Proof Steel

### Construction Materials

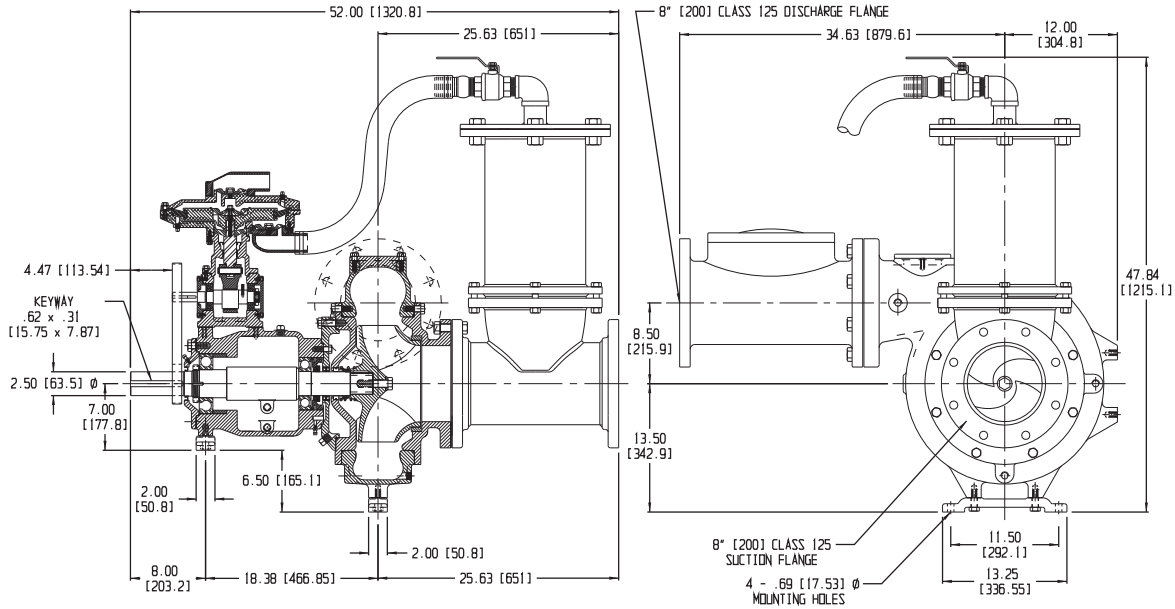
	Standard Construction	Optional Constructions	
Impeller	CA6NM SS	CD4MCu	316 SS
Wear Ring	ASTM A48 Class 40 Gray Iron	316 SS	316 SS
Suction Cover	ASTM A536 65-45-12	CD4MCu	316 SS
Volute	ASTM A536 65-45-12	CD4MCu	316 SS
Brac-plate/bracket	ASTM A536 65-45-12	CD4MCu	316 SS
Backplate	ASTM A536 65-45-12	CD4MCu	316 SS

# Mechanical Dimensions



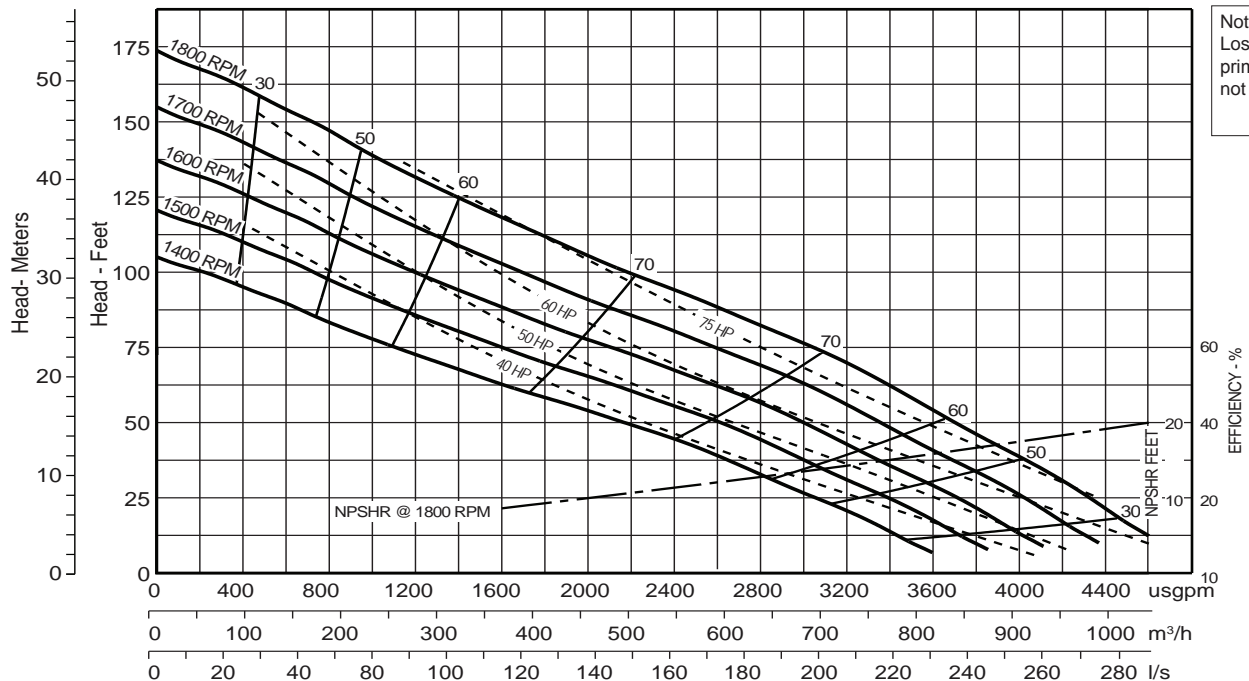
Typical Pump Configuration

## PP88S12



# Performance Curve

MODEL: PP88S12	IMPELLER DIA: 12.5"	SPEED: Variable	SOLIDS SIZE: 3.0"	Curve #A4631HQ
----------------	---------------------	-----------------	-------------------	----------------



# 1800 PUMP RENTAL

[nationalpump.com.au](http://nationalpump.com.au) | [sales@nationalpump.com.au](mailto:sales@nationalpump.com.au)

