



Typical Pump Configuration

Pioneer Prime

PP64C21L71

Performance

Pioneer Prime series - vacuum assisted, end suction centrifugal pump

Bare shaft, frame mounted, fully automatic dry priming, vacuum assisted, run dry, heavy duty pump

Size	6" x 4" 150 x 100 mm
Flow, Max	1500 USGPM 350 m ³ /h 90 l/s
Head, Max	675 feet 210 meters
Flow at BEP	1250 USGPM 290 m ³ /h 80 l/s
Efficiency at BEP	62%
Solids Handling, Max	0.88" 20 mm
Operating Speed, Max	2200 rpm
Suction Connection	4" 150 ANSI Flanges
Delivery Connection	3" 150 ANSI Flanges
Lubrication	Oil Std Grease optional
Fasteners	Imperial

Applications

Oil & Gas	Construction
Industrial	Mining
Petrochemical	Rental
Agriculture	Irrigation

PosiValve™ Patent #6,783,730 PP64C21L71_03.14

High pressure, high flow, heavy duty pump

Designed to operate over a broad range of performance while delivering outstanding suction lift, the PP64C21 is the clear choice. The rugged construction and modular design provide proven reliability and flexibility in the most demanding applications.

UltraPrime™ Priming System

Priming System	Mechanically Driven Diaphragm Style Vacuum Pump
Air Removal Capability	50 CFM
Priming Chamber	Single chamber with Positive sealing air separation PosiValve™ with stainless steel float ball & linkage.
Discharge Check Valve	Swing Style - ductile iron with Buna-n Disc Valve

Other Specifications

Mechanical Seal	Single seal w/ tungsten carbide vs. silicon carbide seal faces, Viton® elastomers, 300 series stainless steel hardware and spring, designed for indefinite dry running
Pump End Bearing	Single Row Ball
Drive End Bearing	Double Row Angular Contact
Shaft	ASTM A630 17-4PH COND HT1150 SS

Construction Materials

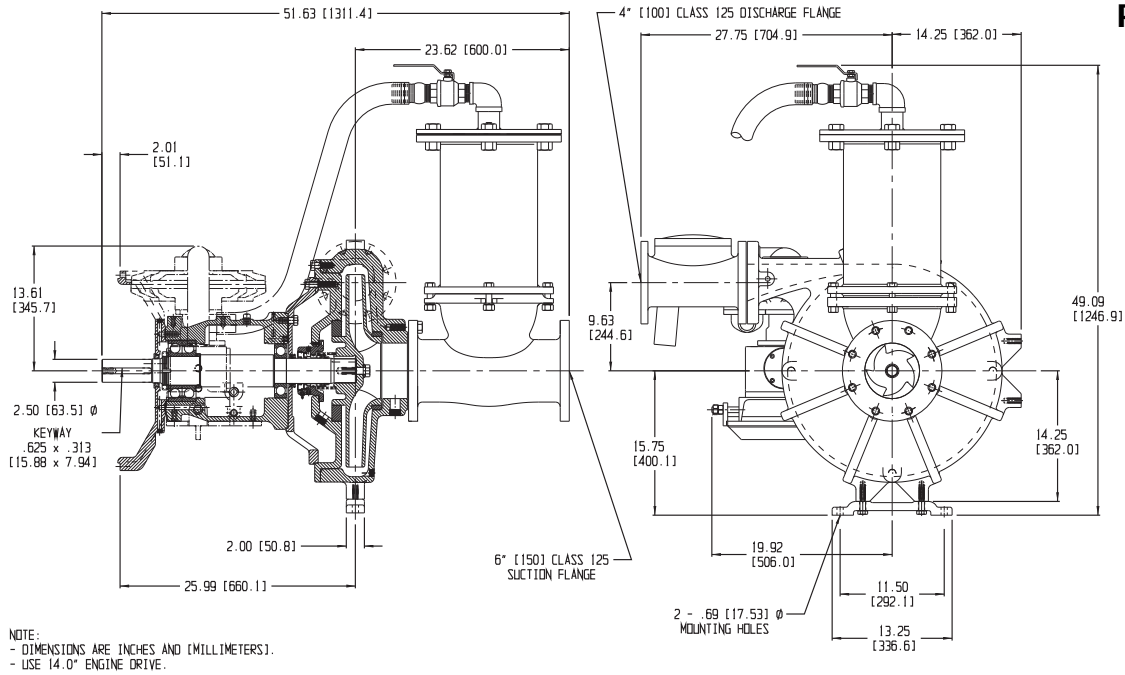
	Standard Construction	Optional Constructions	
Impeller	CA6NM SS	CD4MCu	316 SS
Wear Ring	ASTM A48 Class 40 Gray Iron	316 SS	316 SS
Suction Cover	ASTM A536 65-45-12	CD4MCu	316 SS
Volute	ASTM A536 65-45-12	CD4MCu	316 SS
Brac-plate/bracket	ASTM A536 65-45-12	CD4MCu	316 SS
Backplate	ASTM A536 65-45-12	CD4MCu	316 SS

Mechanical Dimensions



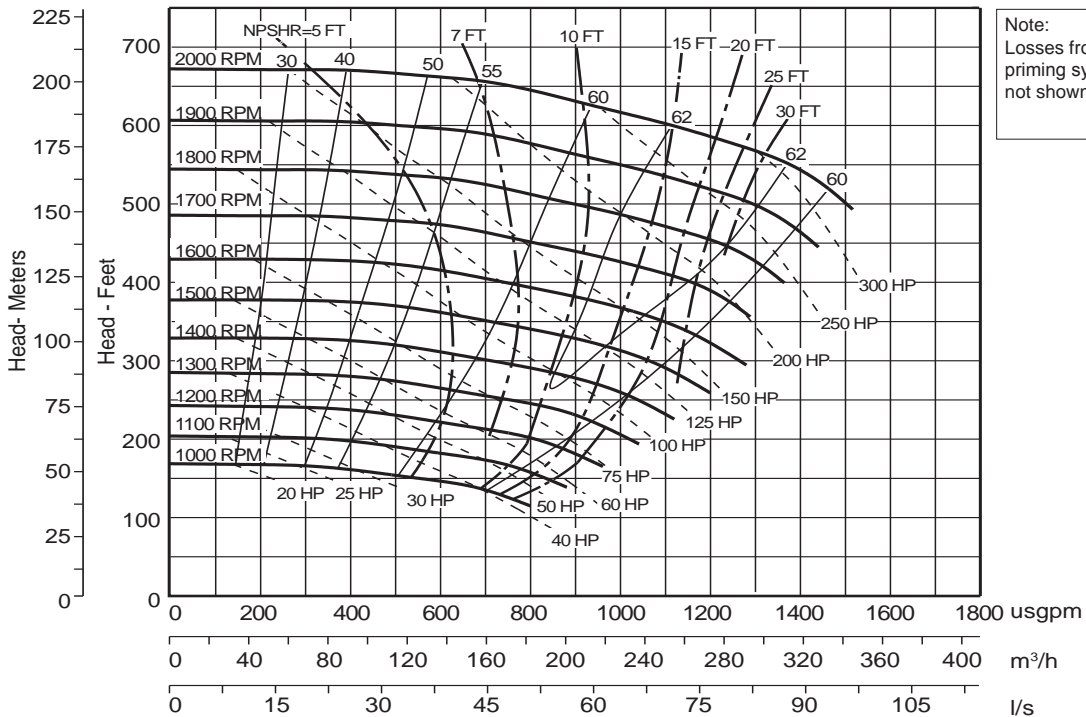
Typical Pump Configuration

PP64C21



Performance Curve

Model: PP64C21	Impeller Dia: 21"	Speed: Variable	Solids Size: .88"	Curve #13571HQ
----------------	-------------------	-----------------	-------------------	----------------



1800 PUMP RENTAL

nationalpump.com.au | sales@nationalpump.com.au

