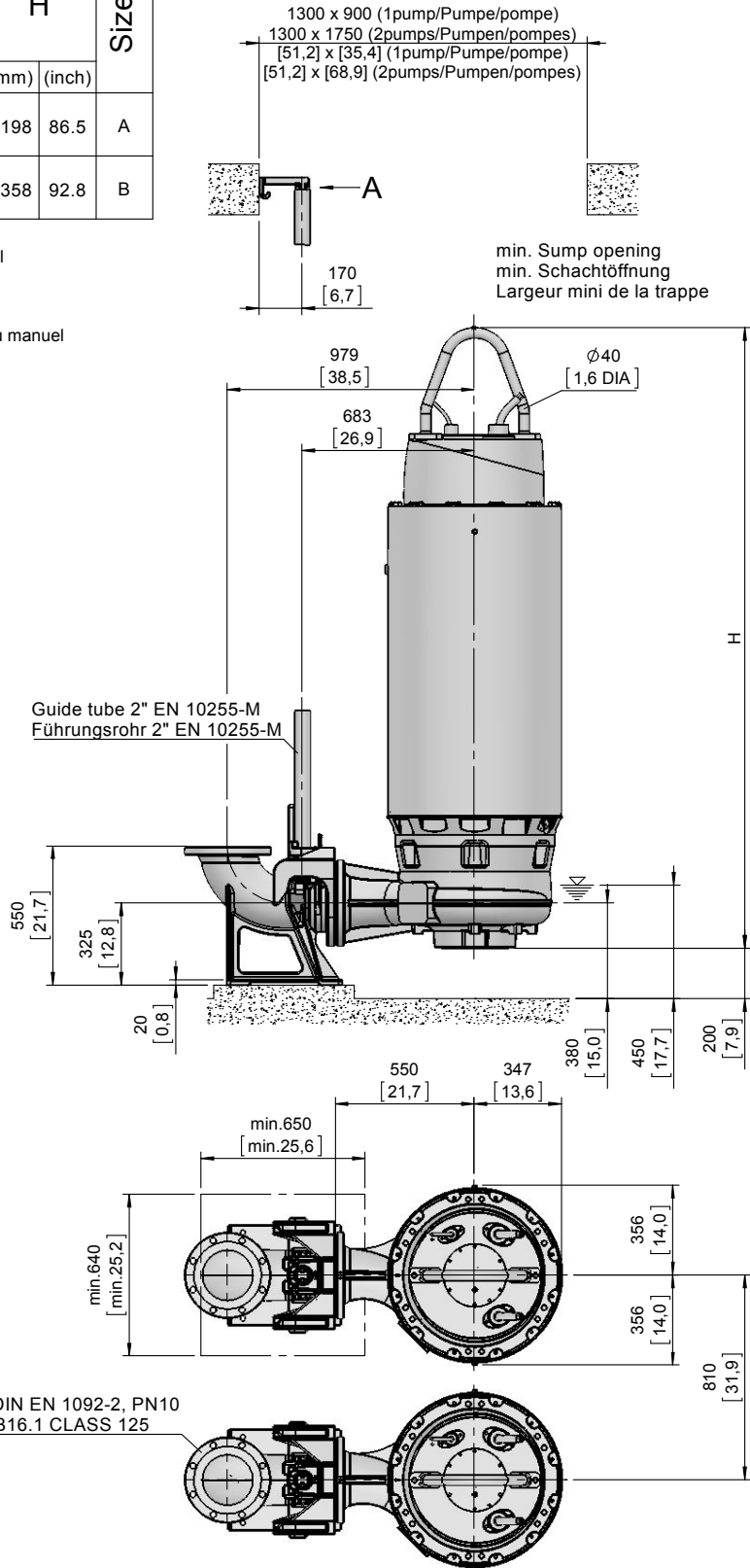
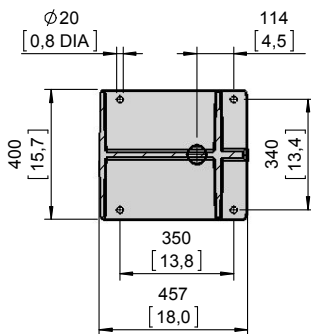
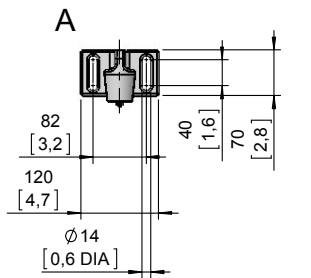


## SULZER XFP200M SUBMERSIBLE DEWATERING PUMP

| Type<br>Typ<br>Type | Type<br>Typ<br>Type | Weight<br>Gewicht<br>Poids |       | H    |        | Size |
|---------------------|---------------------|----------------------------|-------|------|--------|------|
|                     |                     | MK                         |       | (mm) | (inch) |      |
| 50Hz                | 60Hz                | (~kg)                      | (~lb) |      |        |      |
| PE 1320/4-M         | PE 1500/4-M-60      | 1840                       | 4057  | 2198 | 86.5   | A    |
| PE 1600/4-M         | PE 1850/4-M-60      | 1945                       | 4289  |      |        |      |
| PE 2000/4-M         | PE 2200/4-M-60      | 2285                       | 5038  | 2358 | 92.8   | B    |
|                     | PE 2800/4-M-60      | 2390                       | 5270  |      |        |      |

Weight: Includes pump, slider bracket and 10m cable  
 Gewicht: Beinhaltet Pumpe, Halterung und 10m Kabel  
 Poids: Pompe, coulisseau et 10m de câble  
 For different cable length see IOM, chapter 1.5  
 Für abweichende Kabellänge siehe EBA, Kapitel 1.5  
 Pour des longueurs supérieures, voir la section 1.5 du manuel  
 For hex.-woodscrew 0.4\*2.8 plug 0.5 DIA  
 Für Skt.-Holzschr. 10\*70 Dübel Ø12mm  
 Pour vis à bois hexagonale 10\*70 trou de 12mm  
 Installation instructions "pedestal" 1 597 2507  
 Installationsanweisung "Fußstück" 1 597 2507  
 Instruction d'installation du "pied d'assise" 1 597 2507

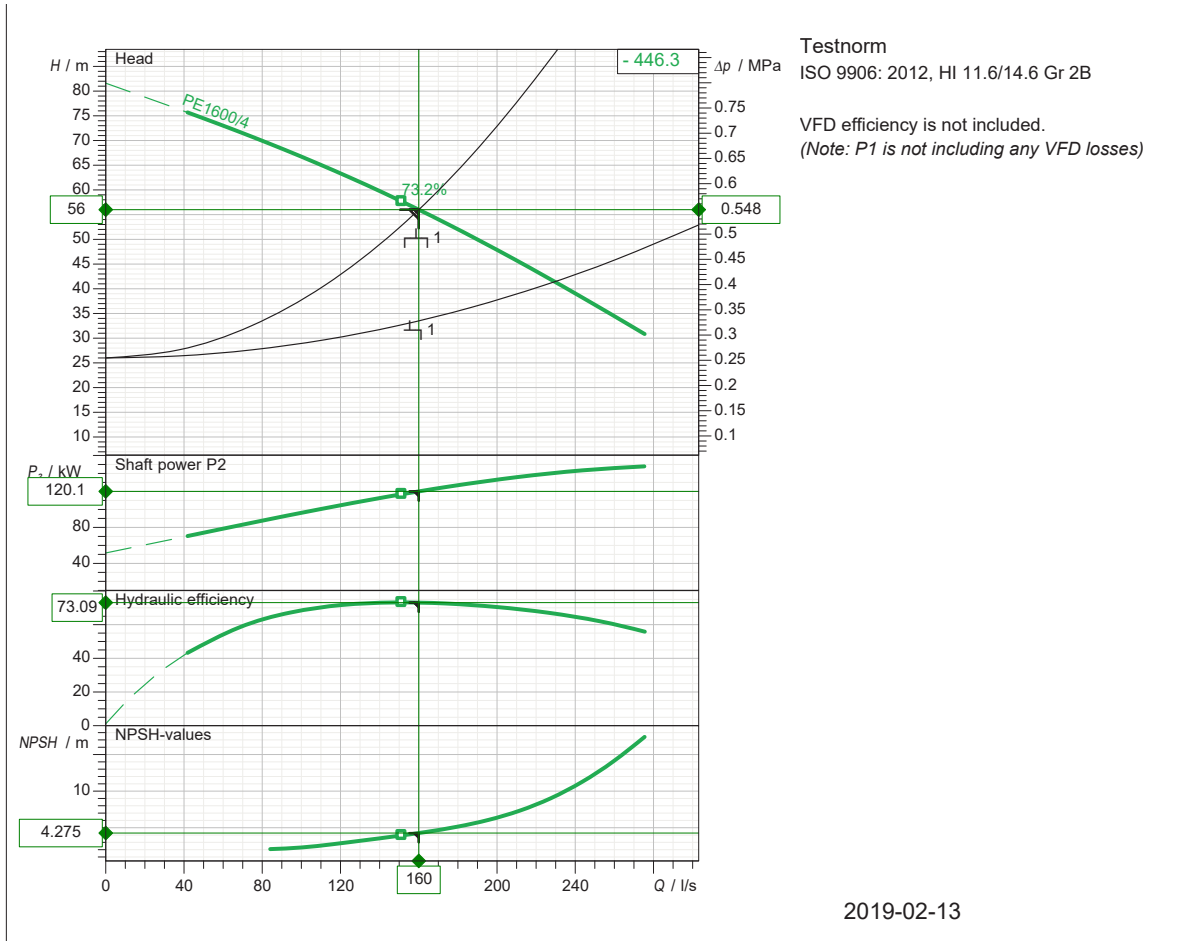


MK = Mit Kühlmantel  
 With cooling jacket  
 Avec enveloppe de refroidissement

[ mm ]  
 [ inch ]



## SULZER XFP200M SUBMERSIBLE DEWATERING PUMP



|   |  |   |  |
|---|--|---|--|
| <b>Operating data specification</b><br>Flow 160 l/s<br>Efficiency 73.1 %<br>NPSH 4.28 m<br>Temperature 20 °C<br>No. of pumps 2  |  | Power input 125 kW<br>Head 56 m<br>Rated power 120 kW<br>Fluid Water<br>Nature of system Single pumps as parallel circuit   |  |
| <b>Pump data</b><br>Type XFP 200M-CH2 50 HZ<br>Series XFP PE4-PE7<br>N° of vanes 2<br>Free passage 100 x 90 mm<br>Discharge flange DN200<br>Moment of inertia 0.95 kg m <sup>2</sup>          |  | Make SULZER<br>Impeller 2-vane channel impeller<br>Impeller size 446 mm<br>Suction flange DN200<br>Type of installation wet well vertical installation 2"               |  |
| <b>Motor data</b><br>Rated voltage 400 V<br>Rated power P2 160 kW<br>Number of poles 4<br>Power factor 0.877<br>Starting current 2090 A<br>Starting torque 2570 Nm<br>Insulation class H(140) |  | Frequency 50 Hz<br>Nominal Speed 1490 1/min<br>Efficiency 95.7 %<br>Rated current 275 A<br>Rated torque 1030 Nm<br>Degree of protection IP 68<br>No. starts per hour 10 |  |

Sulzer reserves the right to change any data and dimensions without prior notice and can not be held responsible for the use of information contained in this software.

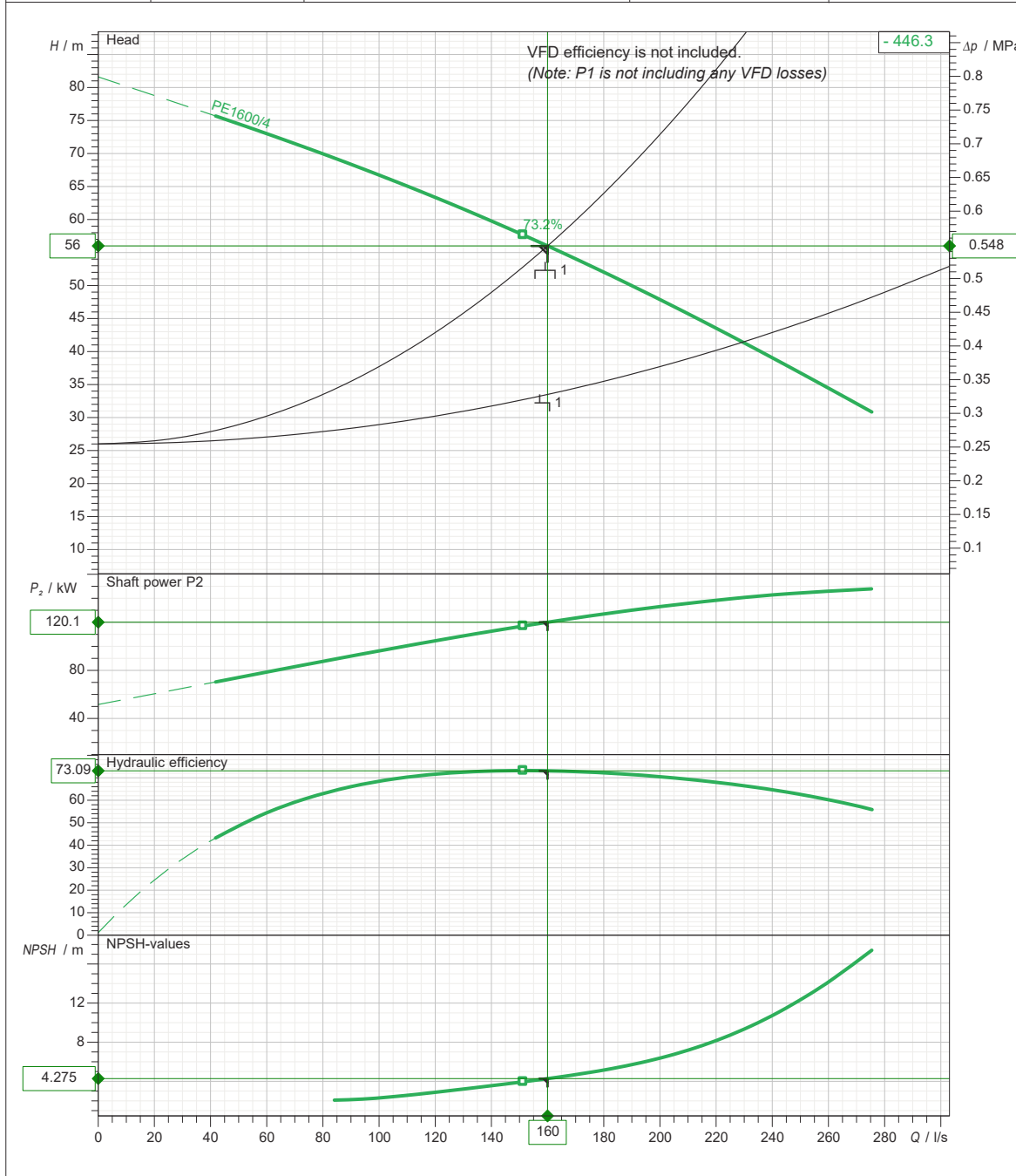
Spaix® 4, Version 4.3.11 - 2019/01/28 (Build 240)  
Data version Jan 2019





## SULZER XFP200M SUBMERSIBLE DEWATERING PUMP

|                                    |                                       |  |                                |                    |
|------------------------------------|---------------------------------------|--|--------------------------------|--------------------|
| Density<br>998.3 kg/m <sup>3</sup> | Viscosity<br>1.005 mm <sup>2</sup> /s | Testnorm<br>ISO 9906: 2012, HI 11.6/14.6 Gr 2B | Discharge<br>DN200             | Frequency<br>50 Hz |
| Flow<br>160 l/s                    | Head<br>56 m                          | Rated power<br>120 kW                          | Rated speed<br>1489 1/min      | Date<br>2019-02-13 |
|                                    |                                       | Power input<br>125 kW                          | Hydraulic efficiency<br>73.1 % | NPSH<br>4.28 m     |



|                         |                  |                                     |                           |          |
|-------------------------|------------------|-------------------------------------|---------------------------|----------|
| Impeller size<br>446 mm | N° of vanes<br>2 | Impeller<br>2-vane channel impeller | Solid size<br>100 x 90 mm | Revision |
|-------------------------|------------------|-------------------------------------|---------------------------|----------|

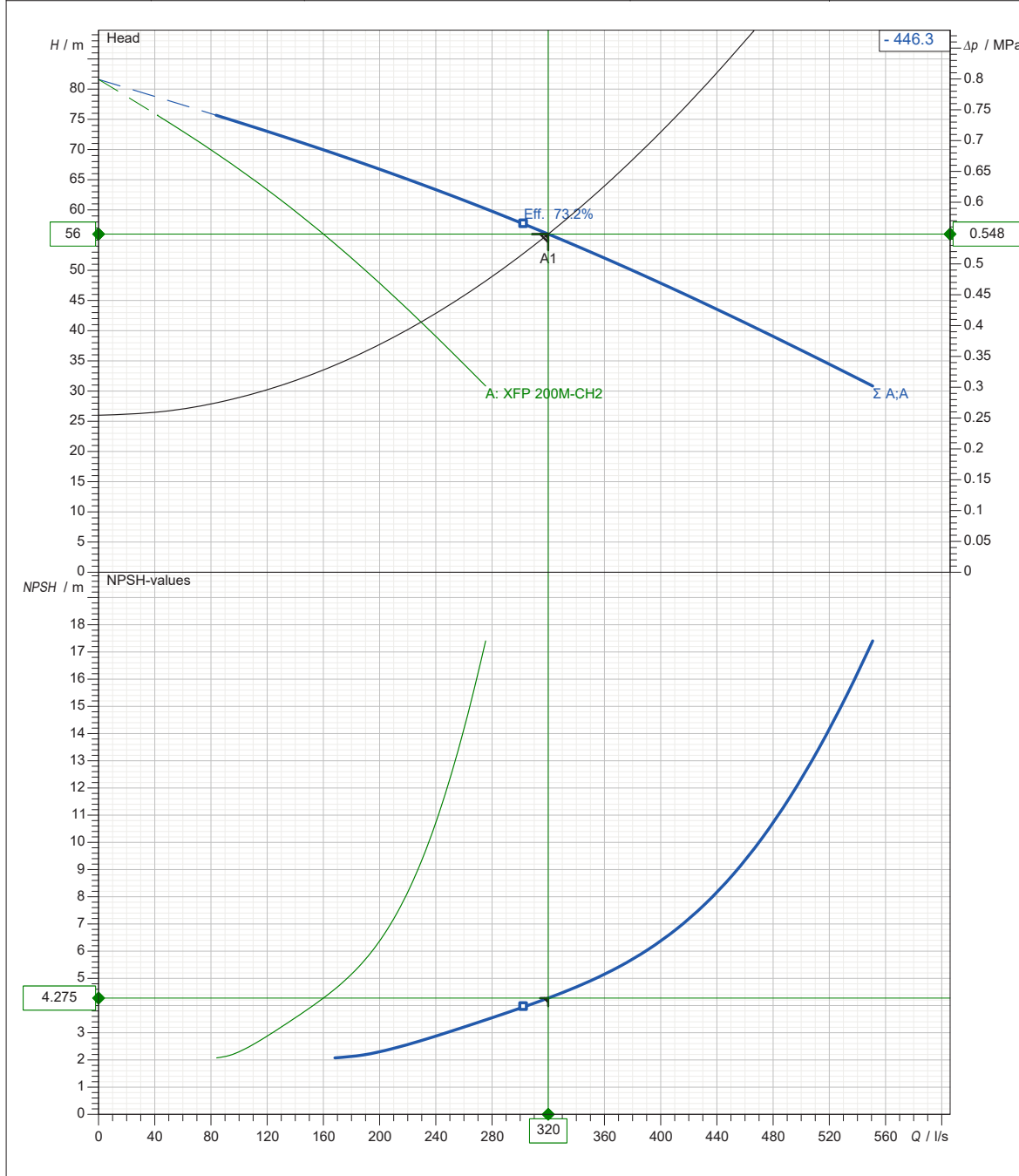
Sulzer reserves the right to change any data and dimensions without prior notice and can not be held responsible for the use of information contained in this software.

Spaix® 4, Version 4.3.11 - 2019/01/28 (Build 240)  
Data version Jan 2019



## SULZER XFP200M SUBMERSIBLE DEWATERING PUMP

|                                    |                                       |  |                                |                    |
|------------------------------------|---------------------------------------|--|--------------------------------|--------------------|
| Density<br>998.3 kg/m <sup>3</sup> | Viscosity<br>1.005 mm <sup>2</sup> /s | Testnorm<br>ISO 9906: 2012, HI 11.6/14.6 Gr 2B | Discharge<br>DN200             | Frequency<br>50 Hz |
| Flow<br>320 l/s                    | Head<br>56 m                          | Rated power<br>120 kW                          | Rated speed<br>1489 1/min      | Date<br>2019-02-13 |
|                                    |                                       | Power input<br>125 kW                          | Hydraulic efficiency<br>73.1 % | NPSH<br>4.28 m     |



|                         |                  |                                     |                           |          |
|-------------------------|------------------|-------------------------------------|---------------------------|----------|
| Impeller size<br>446 mm | N° of vanes<br>2 | Impeller<br>2-vane channel impeller | Solid size<br>100 x 90 mm | Revision |
|-------------------------|------------------|-------------------------------------|---------------------------|----------|

Sulzer reserves the right to change any data and dimensions without prior notice and can not be held responsible for the use of information contained in this software.

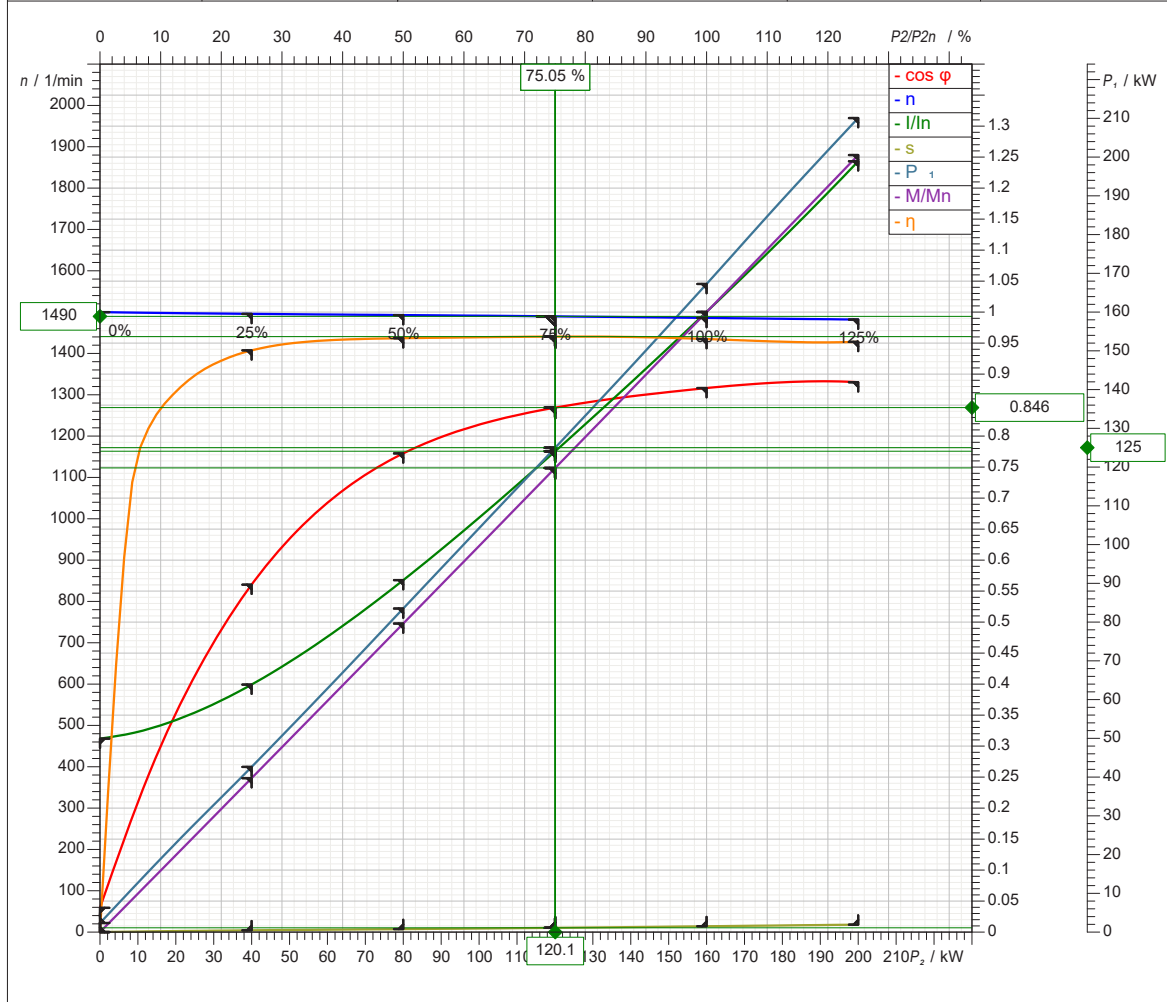
Spaix® 4, Version 4.3.11 - 2019/01/28 (Build 240)  
Data version Jan 2019





## SULZER XFP200M SUBMERSIBLE DEWATERING PUMP

|                       |                     |                             |                      |                        |                    |
|-----------------------|---------------------|-----------------------------|----------------------|------------------------|--------------------|
| Rated power<br>160 kW | Service factor<br>1 | Nominal Speed<br>1490 1/min | Number of poles<br>4 | Rated voltage<br>400 V | Date<br>2019-02-13 |
|-----------------------|---------------------|-----------------------------|----------------------|------------------------|--------------------|



| Symbol         | No load  | 25 %   | 50 %   | 75 %   | 100 %  | 125 %  |
|----------------|----------|--------|--------|--------|--------|--------|
| $P_2$ / kW     | 0        | 40     | 80     | 120    | 160    | 200    |
| $P_1$ / kW     | 2.324    | 42.63  | 83.52  | 124.9  | 167.3  | 210.1  |
| $\eta$ / %     | 0        | 93.83  | 95.79  | 96.05  | 95.66  | 95.2   |
| $n$ / 1/min    | 1500     | 1496   | 1493   | 1490   | 1486   | 1482   |
| $\cos \varphi$ | 0.03911  | 0.5604 | 0.7721 | 0.8459 | 0.8776 | 0.8869 |
| $I$ / A        | 85.78    | 109.8  | 156.1  | 213.2  | 275.1  | 341.9  |
| $s$ / %        | 0.001323 | 0.2867 | 0.4799 | 0.6868 | 0.9399 | 1.199  |
| $M$ / Nm       | 0        | 255.4  | 511.8  | 769.2  | 1028   | 1289   |

Tolerance according to VDE 0530 T1 12.84 for rated power

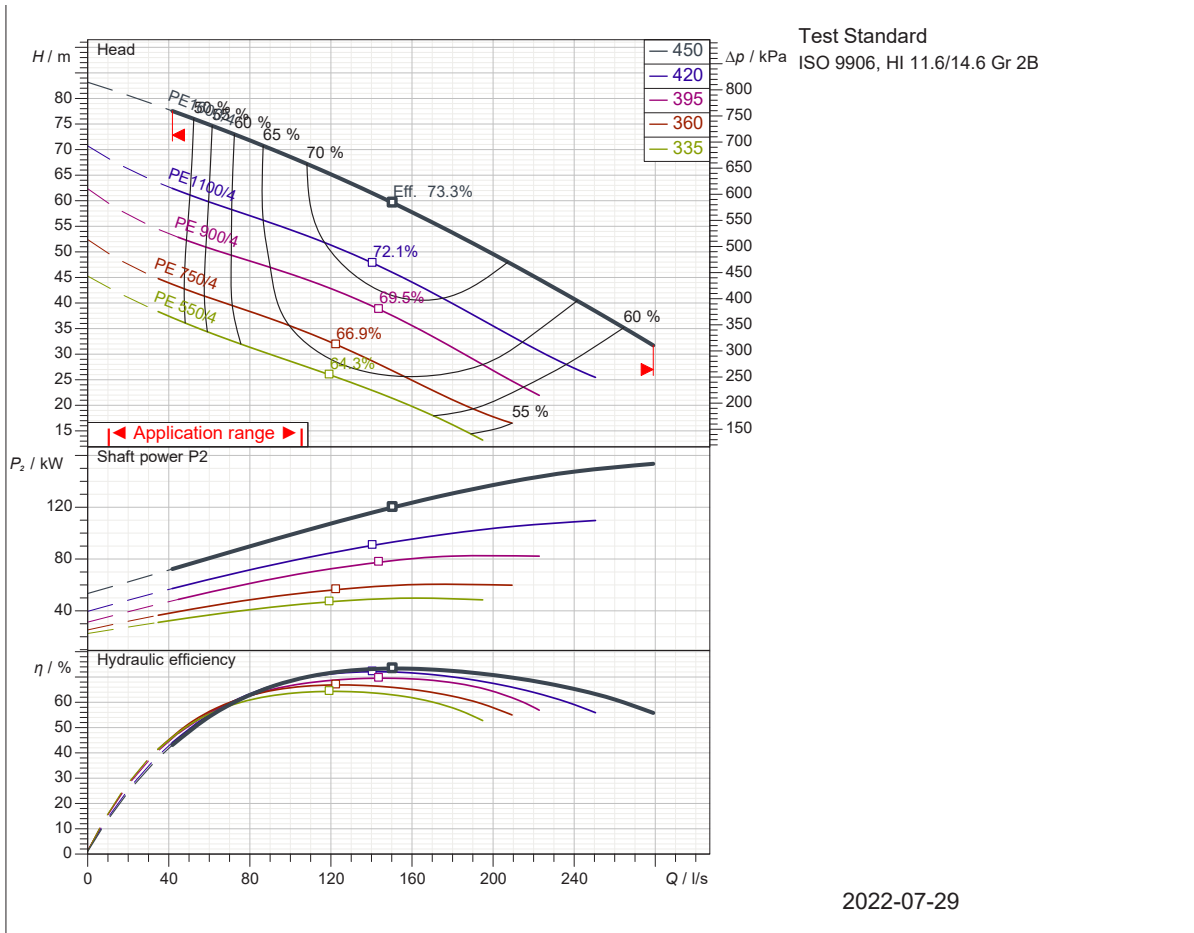
|                            |                            |   |                           |
|----------------------------|----------------------------|---|---------------------------|
| Starting current<br>2090 A | Starting torque<br>2570 Nm | Moment of inertia<br>3.81 kg m <sup>2</sup> | No. starts per hour<br>10 |
|----------------------------|----------------------------|---|---------------------------|

Sulzer reserves the right to change any data and dimensions without prior notice and can not be held responsible for the use of information contained in this software.

Spaix® 4, Version 4.3.11 - 2019/01/28 (Build 240)  
Data version Jan 2019



## SULZER XFP200M SUBMERSIBLE DEWATERING PUMP



|   |  |   |  |
|---|--|---|--|
| <b>Operating data specification</b><br>Flow<br>Efficiency<br>NPSH<br>Temperature 20 °C<br>No. of pumps 1  |  | Power input<br>Head<br>Shaft power<br>Fluid Water<br>Nature of system Single head pump  |  |
| <b>Pump data</b><br>Type XFP 200M-CH2 50 HZ<br>Series XFP PE4-PE7<br>N° of vanes 2<br>Free passage 100 x 90 mm<br>Discharge flange DN200<br>Moment of inertia 0.95 kg m <sup>2</sup>          |  | Make SULZER<br>Impeller 2-vane channel impeller<br>Impeller size 450 mm<br>Suction flange DN200<br>Type of installation Wet well vertical installation 2"               |  |
| <b>Motor data</b><br>Rated voltage 400 V<br>Rated power P2 160 kW<br>Number of poles 4<br>Power factor 0.877<br>Starting current 2090 A<br>Starting torque 2570 Nm<br>Insulation class H(140) |  | Frequency 50 Hz<br>Nominal Speed 1490 1/min<br>Efficiency 95.7 %<br>Rated current 275 A<br>Rated torque 1030 Nm<br>Degree of protection IP 68<br>No. starts per hour 15 |  |

Sulzer reserves the right to change any data and dimensions without prior notice and can not be held responsible for the use of information contained in this software.

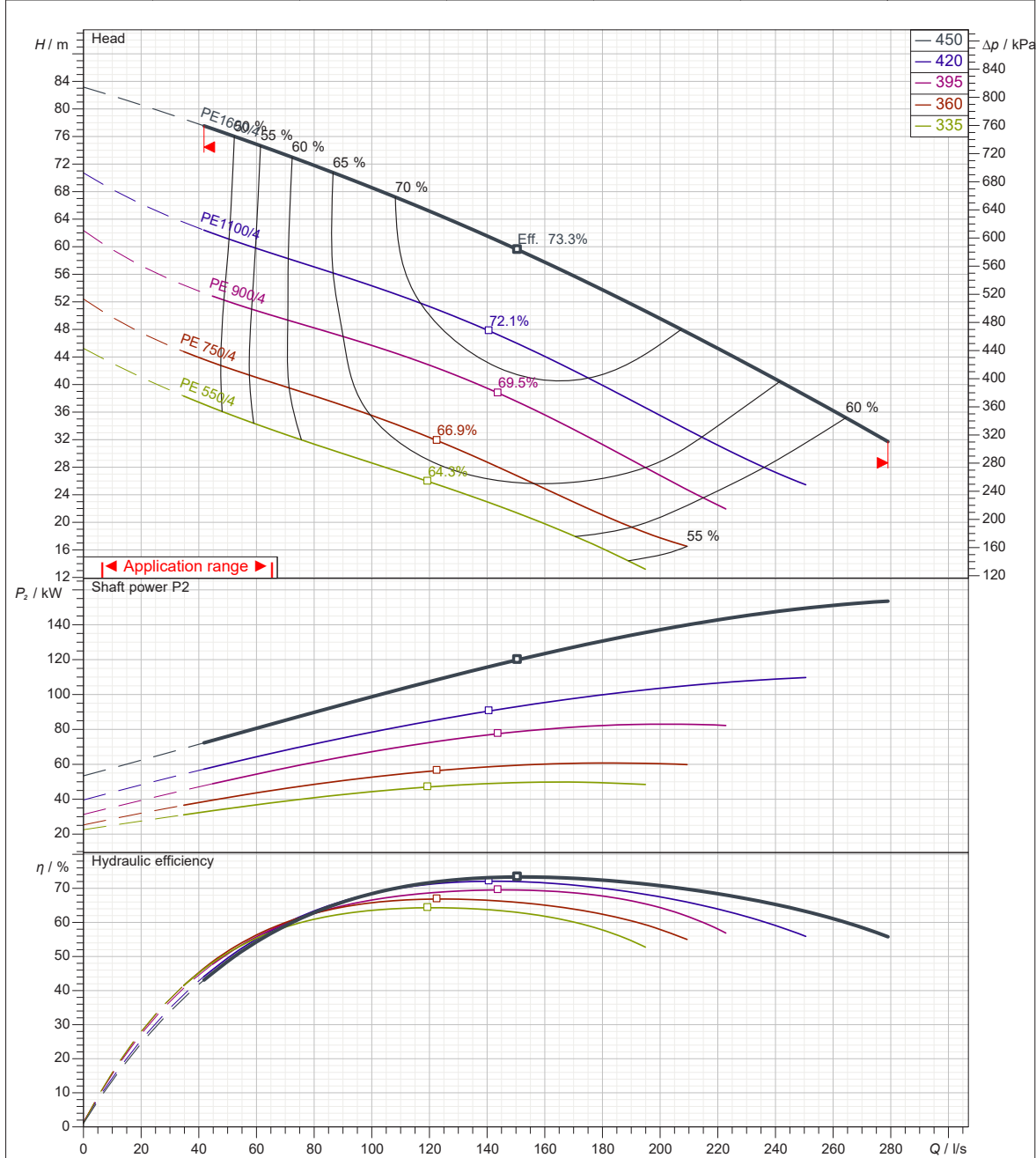
Spaix® 5-2022.2 - 2022/07/05 (Build 427), 64 bit  
Data version June 22.1





## SULZER XFP200M SUBMERSIBLE DEWATERING PUMP

|                         |                          |                              |             |                |                 |            |
|-------------------------|--------------------------|------------------------------|-------------|----------------|-----------------|------------|
| Density                 | Viscosity                | Test Standard                |             |                | Rated speed     | Date       |
| 998.3 kg/m <sup>3</sup> | 1.005 mm <sup>2</sup> /s | ISO 9906, HI 11.6/14.6 Gr 2B |             |                | 1490 1/min      | 2022-07-29 |
| Flow                    | Head                     | Shaft power                  | Power input | Rated power P2 | Hyd. efficiency | NPSH       |
|                         |                          |                              |             | 160 kW         |                 |            |



Wet well vertical installation 2"

|               |             |                         |             |          |
|---------------|-------------|-------------------------|-------------|----------|
| Impeller size | N° of vanes | Impeller                | Solid size  | Revision |
| 450 mm        | 2           | 2-vane channel impeller | 100 x 90 mm |          |

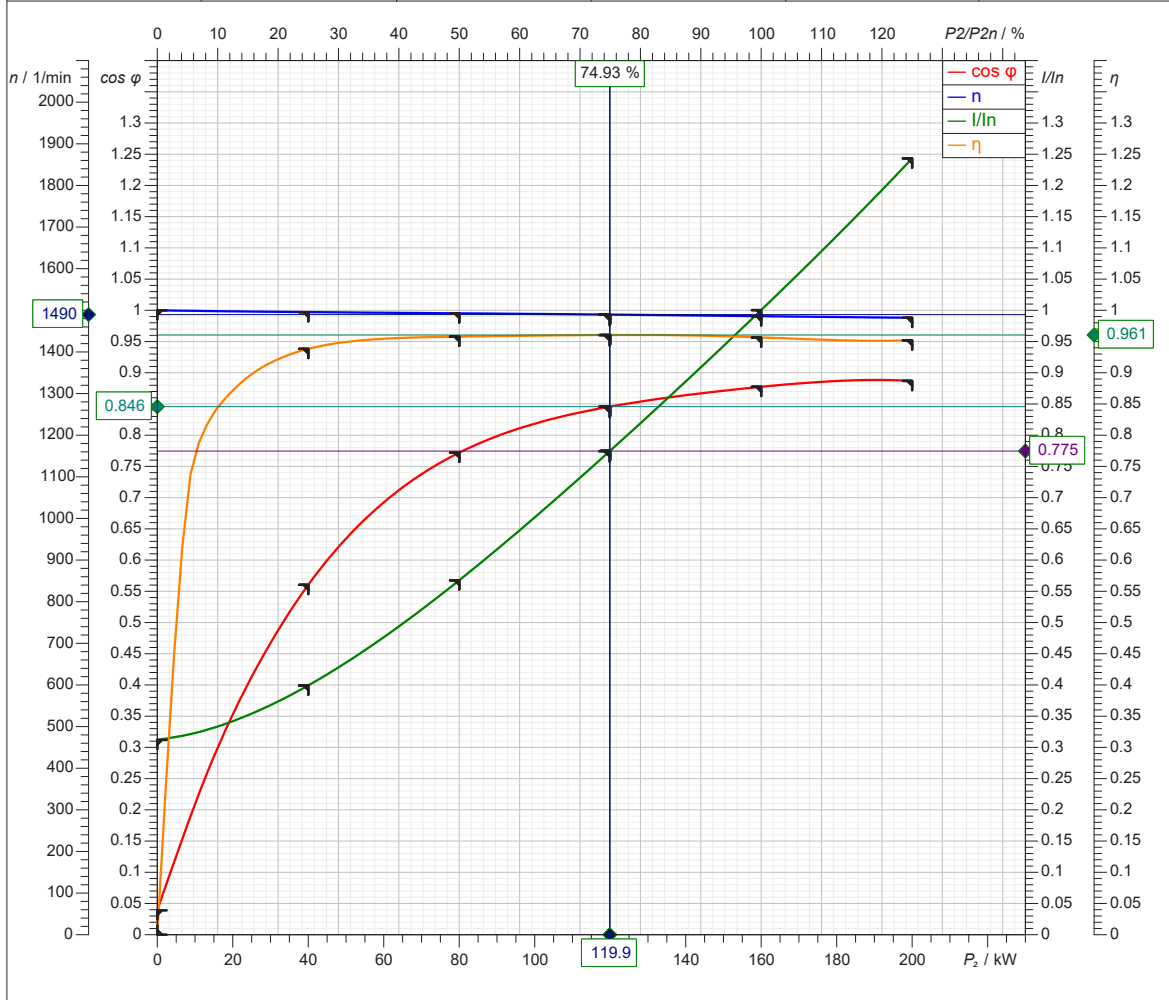
Sulzer reserves the right to change any data and dimensions without prior notice and can not be held responsible for the use of information contained in this software. Spaix® 5-2022.2 - 2022/07/05 (Build 427), 64 bit Data version June 22.1





## SULZER XFP200M SUBMERSIBLE DEWATERING PUMP

|                       |                     |                             |                      |                        |                    |
|-----------------------|---------------------|-----------------------------|----------------------|------------------------|--------------------|
| Rated power<br>160 kW | Service factor<br>1 | Nominal Speed<br>1490 1/min | Number of poles<br>4 | Rated voltage<br>400 V | Date<br>2022-07-29 |
|-----------------------|---------------------|-----------------------------|----------------------|------------------------|--------------------|



| Symbol    | No load  | 25 %   | 50 %   | 75 %   | 100 %  | 125 %  |
|-----------|----------|--------|--------|--------|--------|--------|
| P2/ kW    | 0        | 40     | 80     | 120    | 160    | 200    |
| P1/ kW    | 2.324    | 42.63  | 83.52  | 124.9  | 167.3  | 210.1  |
| I / A     | 85.78    | 109.8  | 156.1  | 213.2  | 275.1  | 341.9  |
| cos φ     | 0.03911  | 0.5604 | 0.7721 | 0.8459 | 0.8776 | 0.8869 |
| n / 1/min | 1500     | 1496   | 1493   | 1490   | 1486   | 1482   |
| s / %     | 0.001323 | 0.2867 | 0.4799 | 0.6868 | 0.9399 | 1.199  |
| M / Nm    | 0        | 255.4  | 511.8  | 769.2  | 1028   | 1289   |
| η / %     | 0        | 93.83  | 95.79  | 96.05  | 95.66  | 95.2   |

Tolerance according to VDE 0530 T1 12.84 for rated power

|                            |                            |   |                           |
|----------------------------|----------------------------|---|---------------------------|
| Starting current<br>2090 A | Starting torque<br>2570 Nm | Moment of inertia<br>3.81 kg m <sup>2</sup> | No. starts per hour<br>15 |
|----------------------------|----------------------------|---|---------------------------|

Sulzer reserves the right to change any data and dimensions without prior notice and can not be held responsible for the use of information contained in this software.

Spaix® 5-2022.2 - 2022/07/05 (Build 427), 64 bit  
Data version June 22.1

