

WATER

XH100



Diesel Drive Auto Prime XTRA High Head Pump

As Mines and Quarries go deeper the Xtra High Head automatic priming solids handling pumpset is designed to dewater more efficiently and effectively.

Boasting one of the best shaft stiffness ratio's of any automatic priming pump on the market the Sykes Xtra High Head range provides the reliability to meet the market expectations.

Sykes engineers have ensured that the enormous pressures and heads associated with such performance do not compromise seal integrity through shaft flexing.

Sykes Xtra High Head Pump range caters to the demands of the global mining industry and all models have the ability to operate unattended at high discharge heads.



1 800 PUMP RENTAL

nationalpump.com.au | sales@nationalpump.com.au



NPE
NATIONAL PUMP & ENERGY

Features

- Low fuel usage
- Reduced engine sizes
- Lower maintenance costs
- Dry self prime and reprime
- Close coupled SAE Bearing Frames
- Suction lifts to 9m
- Operates in 'snore' conditions
- Vacuum Priming option available for ground dewatering.

- Diesel, electric or hydraulic drive
- Solids handling
- Simple maintenance
- Replaceable wear parts
- Chassis - skid, road tow, wheeled, caged
- Powered by Perkins or Cat Engines.
- Other engines available on request
- Custom build available
- Sykes purpose built Control panel

Application

- Construction
- Environmental
- Industrial
- Mining
- Clean Water
- Sludge
- Slimes
- Sewage
- Solids laden liquids
- Ground Dewatering
- Pipeline & Drilling
- Jetting
- Quarries

Technical Data

MATERIALS OF CONSTRUCTION

Pump Casing:	S.G. IRON 400/12
Suction Cover:	S.G. IRON 400/12
Air Separation Tank:	S.G. IRON 400/12
Bearing Bracket:	S.G. IRON 400/12
Pump Shaft:	431 Stainless Steel
Impeller:	316 Stainless Steel
Wearplates:	316 Stainless Steel
Mechanical Seal:	Silicon Carbide cartridge seal c/w pumping ring and Glycol Quench
N.R.V. (Ball Type):	S.G. IRON 400/12

DESIGN DETAILS

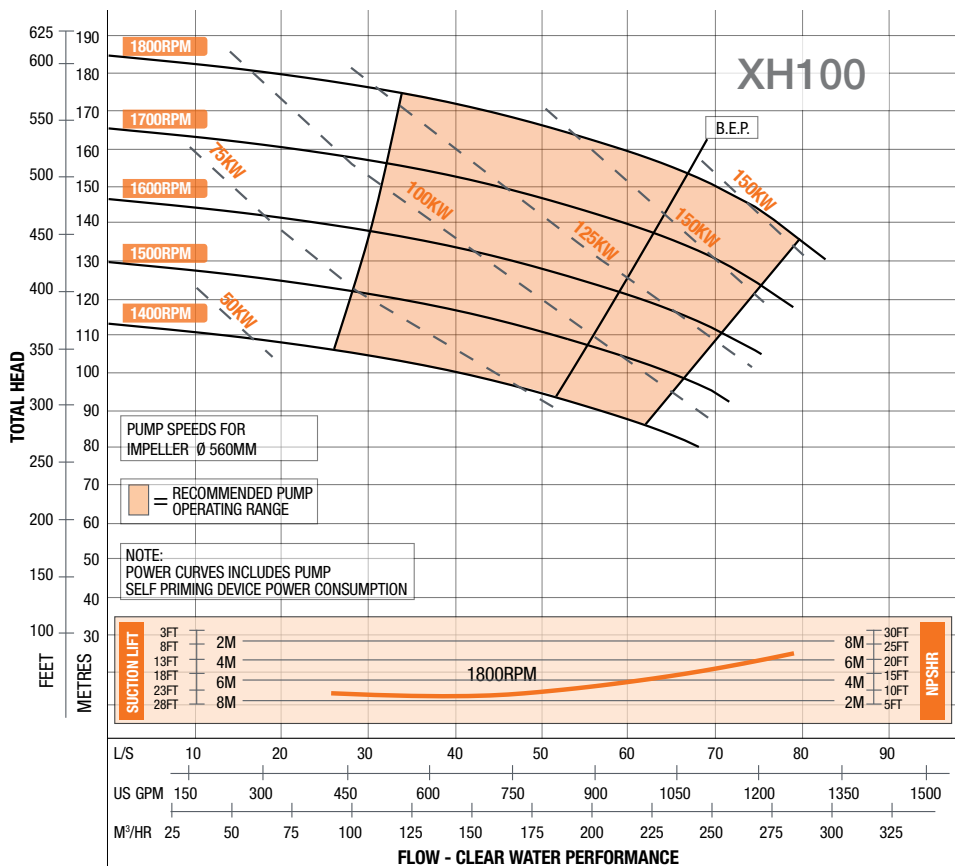
Single Stage, end suction type, 5 vane closed impeller, centrifugal pump

Suction Flange (mm/in): 150/6
 Delivery Flange (mm/in): 100/4
 Solids Handling Size (mm/in): 22/0.88
 Maximum Head (m/ft): 185/607
 Maximum Capacity: 82 L/sec

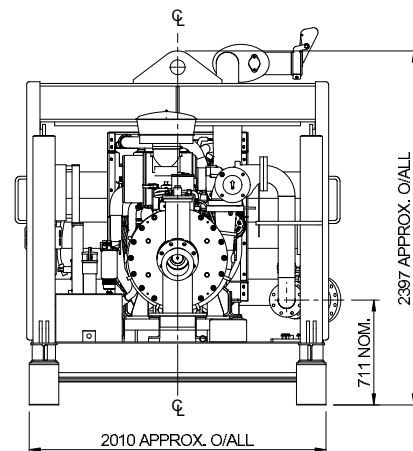
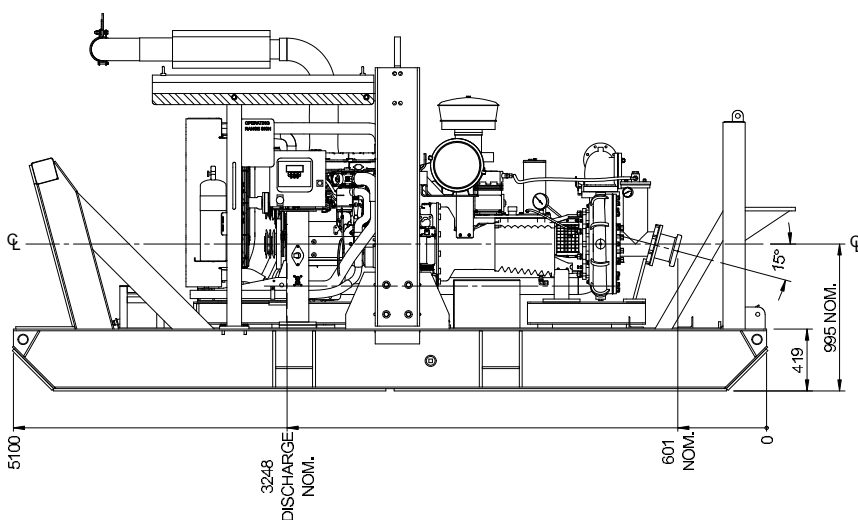
FUEL USAGE (L/HR) @ BEP

Speed (rpm)	POWER USAGE (kW)	FUEL RATE (L/hr)	RUN TIME (hrs - 1200L fuel tank)
1400	75	18.53	65
1600	120	29.65	40
1800	170	42.00	29

CALCULATIONS BASED ON 210 g/kw.hr



Dry Weight: 5870 kg
 Fuel Capacity: 1200 litres



Final weight and dimensions will depend on completed specifications

All this information in this document is substantially correct at the time of printing and may be altered subsequently

1800 PUMP RENTAL

nationalpump.com.au | sales@nationalpump.com.au



NPE

NATIONAL PUMP & ENERGY