

## Autoprime Pumps by SPP Pumps Ltd

Distributed by Weir Minerals Multiflo

QC 150M - 150mm Enclosed Automatic Priming Pump

Excellent  
Minerals  
Solutions



## QC 150M Enclosed Automatic Priming Pump

The SPP AUTOPRIME QC 150M pump is a fully enclosed diesel driven pump unit with high efficiency, designed to pump most liquids including sewage and semi solids. The enclosure provides sound reduction and security for use in noise sensitive areas. Typical uses include removal of ground and rain water from excavations, trenches, footings, manholes and ponds. May also be used for stream and pipe diversions and flood water control, well point dewatering, pipe relining and sludge pumping.



### DESIGN FEATURES

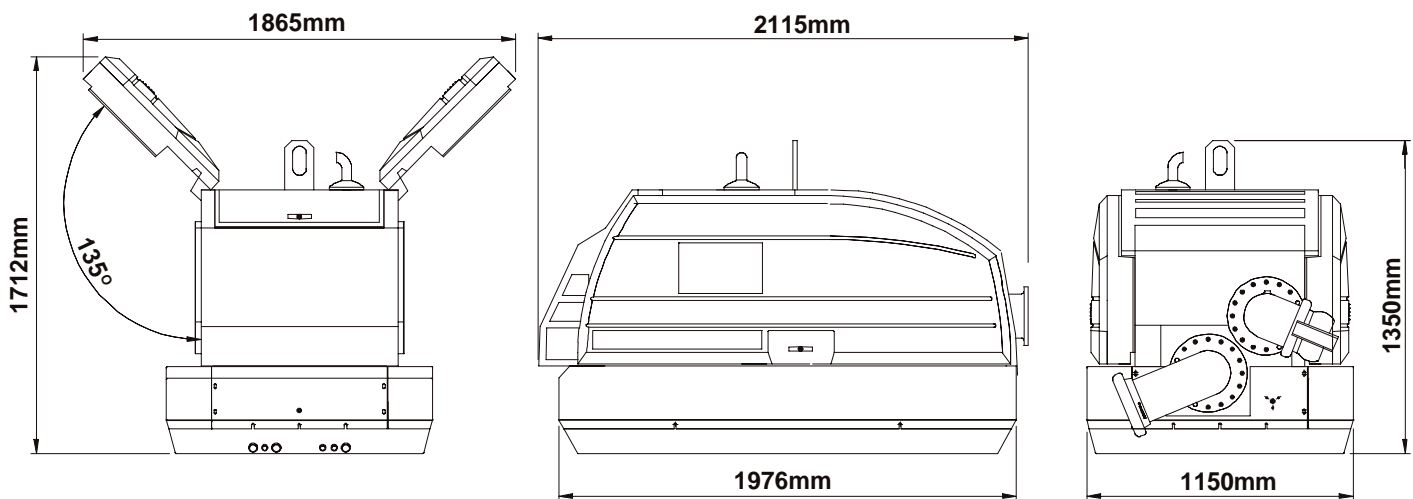
- Bunded unit on optional two-wheel road trailer or skid
- 12 volt battery starting by key switch with optional automatic stop/start capability.
- Pump will pass solids up to 65mm diameter and 80mm long.
- Reliable double mechanical seals which allow dry running.
- Pump can be left running when liquid is exhausted and will prime automatically when liquid is present.
- Rugged construction requires minimal operator maintenance.
- 65 cfm vacuum pump with coalescer to filter exhaust air before emission into the atmosphere.
- Features efficient 'Smartprime' technology for energy saving and reliability.

### PUMP SPECIFICATIONS

Flow Rate	400 m <sup>3</sup> /h Maximum
Discharge Head	36 m Maximum
Working Pressure	10 bar Maximum
Suction Hose Size	200 mm (8 in) Diameter
Delivery Hose Size	150 mm (6 in) Diameter
Max Solids Size	65mm Diameter x 80 mm
Pump Casing	Cast Iron
Impeller	SG Iron
Pump Shaft	Stainless Steel
Wear Plates	SG Iron
Suction Sump	Cast Iron

Shaft Seal	Silicon Carbide/Silicon Carbide
Elastomer	Viton
Diesel Engine	CAT C2.2N
Starting	12 Volt Battery by Key Switch
Sound Pressure Level	65 dB(A) at 7 metres
Fuel Tank Capacity	220 litres
Full Load Consumption	6.5 litres / hour average
Full Load Running Time	34 hours
Chassis Options	Skid Mounted or Pod for Mounting
Approximate Wet Weight	1500kg on trailer

Specifications are provided by SPP Pumps Ltd and may be subject to change without notice.



1800 PUMP RENTAL

[nationalpump.com.au](http://nationalpump.com.au) | [sales@nationalpump.com.au](mailto:sales@nationalpump.com.au)



# AUTOPRIME

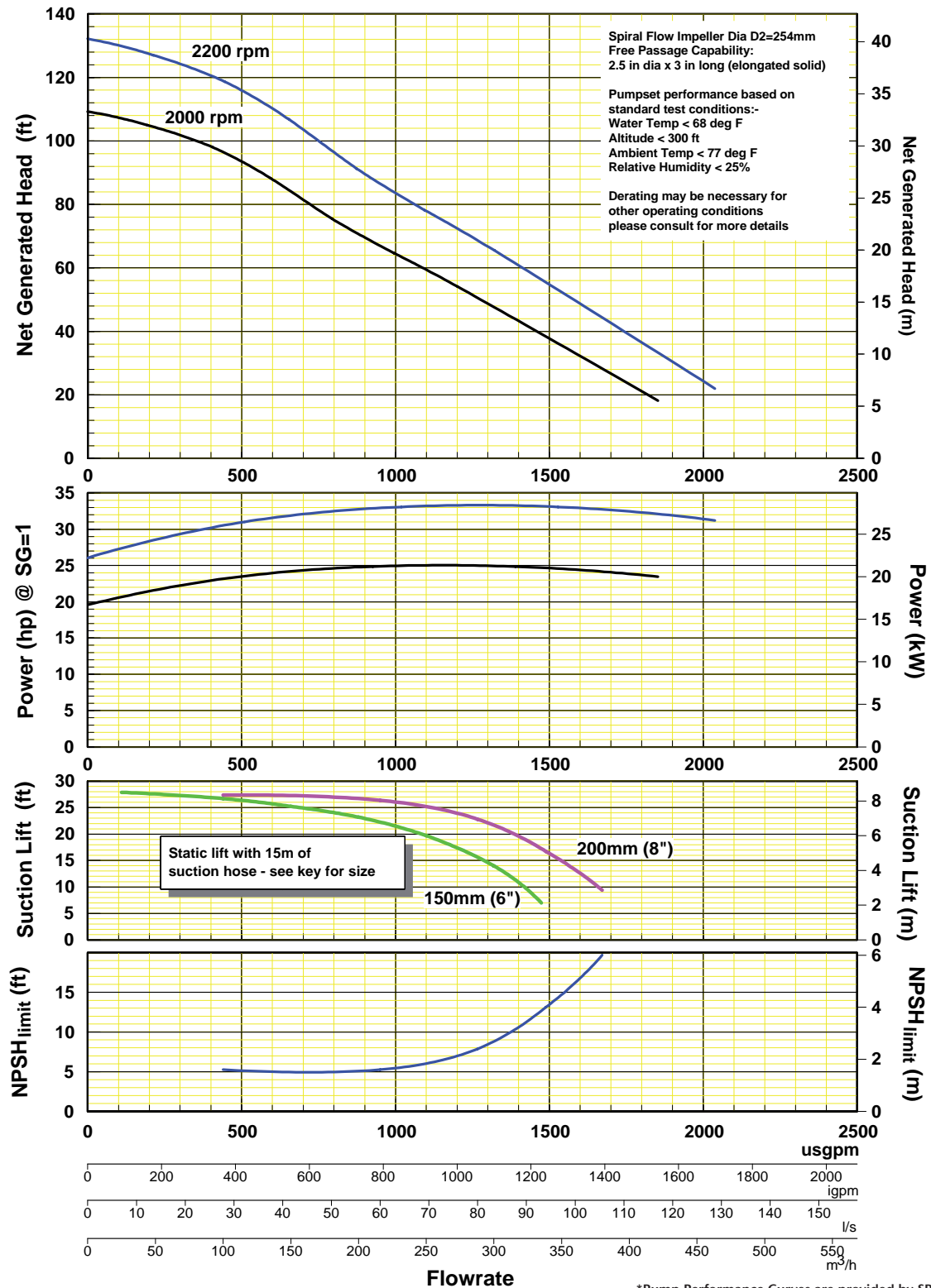
QC/P150M x CAT C2.2 or Perkins 404D

Curve Ref : QC/P150M-254-C2.2/404D-v1

Speed: see below (rpm)

Suct x Disch: 200 x 150 mm

## Pump Performance Curves\*



\*Pump Performance Curves are provided by SPP Pumps Ltd and may be subject to change without notice.

NPE-MAR-PR-0176

# 1800 PUMP RENTAL

[nationalpump.com.au](http://nationalpump.com.au) | [sales@nationalpump.com.au](mailto:sales@nationalpump.com.au)



Product manufactured in the United Kingdom by SPP Pumps Ltd. Product distributed in Australia and selected countries throughout the Asia Pacific region by Weir Minerals Australia Ltd t/as Weir Minerals Multiflo. WEIR is a registered trademark of Weir Engineering Services Ltd. All other trademarks mentioned in this publication are not trademarks belonging to any company forming part of The Weir Group PLC.